

Vertical 360

English • Svenska • Suomi • Dansk • Norsk



CONTENT

CONTENT	1
SAFETY INSTRUCTIONS	2
INSTALLATION (VENT OUTSIDE)	4
TROUBLESHOOTING	8
MAINTENANCE AND CLEANING	8
ENVIRONMENTAL PROTECTION:	11

SAFETY INSTRUCTIONS

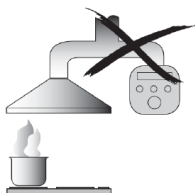
This manual explains the proper installation and use of your cooker hood, please read it carefully before using even if you are familiar with the product. The manual should be kept in a safe place for future reference.

Never to do:

- Do not try to use the cooker hood without the grease filters or if the filters are excessively greasy!
- Do not install above a cooker with a high level grill.
- Do not leave frying pans unattended during use because overheated fats or oils might catch fire.
- Never leave naked flames under the cooker hood.



- If the cooker hood is damaged, do not attempt to use.
- Do not flambé under the cooker hood.
- CAUTION: Accessible parts may become hot when used with cooking appliances.
- The minimum distance between the supporting surface for the cooking vessels on the hob and the lowest part of the cooker hood. (When the cooker hood is located above a gas appliance, this distance shall be at least 65 cm)
- The air must not be discharged into a flue that is used for exhausting fumes from appliances burning gas or other fuels.



Always to do:

- Important! Always switch off the electricity supply at the mains during installation and maintenance such as light bulb replacement.
- The cooker hood must be installed in accordance with the installation instructions and all measurements followed.
- All installation work must be carried out by a competent person or qualified electrician.
- Please dispose of the packing material carefully. Children are vulnerable to it.
- Pay attention to the sharp edges inside the cooker hood especially during installation and cleaning.
- Make sure the ducting has no bends sharper than 90 degrees as this will reduce the efficiency of the cooker hood.
- Warning: Failure to install the screws or fixing device in accordance with these instructions may result in electrical hazards
- Warning: Before obtaining access to terminals, all supply circuits must be disconnected.

Always to do:

- Always put lids on pots and pans when cooking on a gas cooker.
- When in extraction mode, air in the room is being removed by the cooker hood. Please make sure that proper ventilation measures are being observed. The cooker hood removes odours from room but not steam.
- Cooker hood is for domestic use only.



- If the supply cord is damaged, it must be replaced by the manufacturer, its service agent or similarly qualified persons in order to avoid a hazard.
- This appliance can be used by children aged from 8 years and above and persons with reduced physical, sensory or mental capabilities or lack of experience and knowledge if they have been given supervision or instruction concerning use of the appliance in a safe way and understand the hazards involved. Children shall not play with the appliance. Cleaning and user maintenance shall not be made by children without supervision.



- **Warning:** Before obtaining access to terminals, all supply circuits must be disconnected.

Always to do:

- **Caution:** The appliance and its accessible parts can become hot during operation. Be careful to avoid touching the heating elements. Children younger than 8 years old should stay away unless they are under permanent supervision.
- There shall be adequate ventilation of the room when the range hood is used at the same time as appliances burning gas or other fuels.
- There is a fire risk if cleaning is not carried out in accordance with the instructions
- Regulations concerning the discharge of air have to be fulfilled.
- Clean your appliance periodically by following the method given in the chapter MAINTENANCE.
- For safety reason, please use only the same size of fixing or mounting screw which are recommended in this instruction manual.
- Regarding the details about the method and frequency of cleaning, please refer to maintenance and cleaning section in the instruction manual.
- Cleaning and user maintenance shall not be made by children without supervision.
- When the range hood and appliances supplied with energy other than electricity are simultaneously in operation, the negative pressure in the room must not exceed 4 Pa (4 x 10⁻⁵ bar).
- **WARNING:** Danger of fire: do not store items on the cooking surfaces.
- A steam cleaner is not to be used.
- **NEVER** try to extinguish a fire with water, but switch off the appliance and then cover flame e.g. with a lid or a fire blanket.

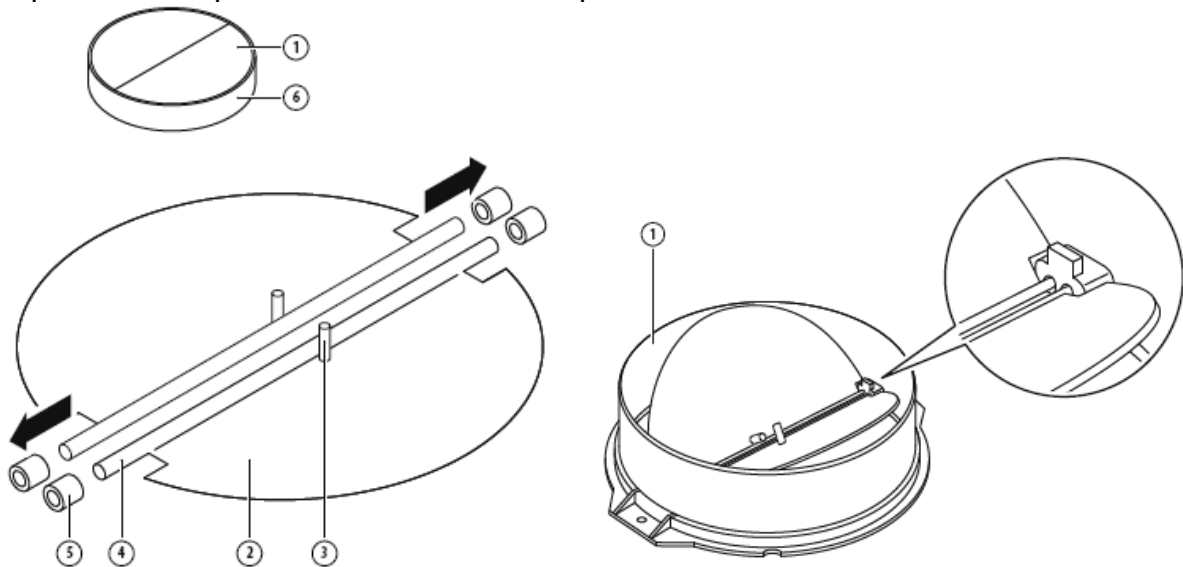
INSTALLATION (VENT OUTSIDE)

MOUNTING OF THE V-FLAP

If the cooker hood does not have an assembled V-flap 1, you should mount the half-parts to its body. The images only show an example of how to mount the V-flap, the outlet may be various according to different models and configuration.

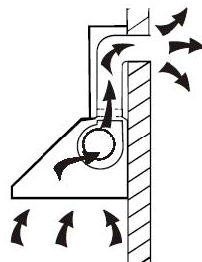
To mount the V-flap 1 you should:

- Mount two half-parts 2 into the body 6
- a pin 3 should be top oriented;
- the axis 4 should be inserted in the holes 5 on body;
- repeat all the operations for the 2nd half-part



INSTALLATION

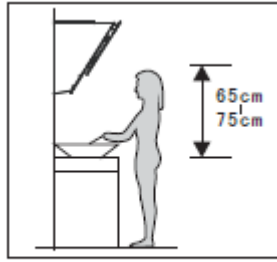
If you have an outlet to the outside, your cooker hood can be connected as below picture by means of an extraction duct (enamel, aluminum, flexible pipe or non-flammable material with an interior diameter of 150mm)



1. Before installation, turn the unit off and unplug it from the outlet.

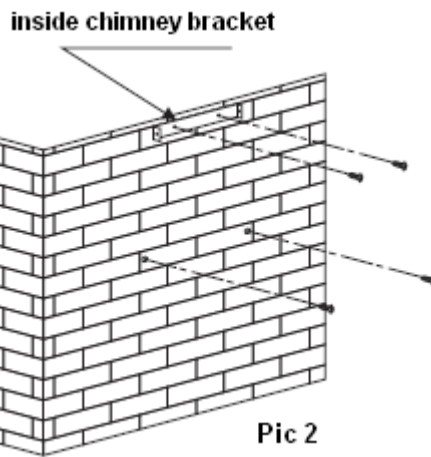


2. The cooker hood should be placed at a distance of 65~75cm above the cooking surface for best effect.

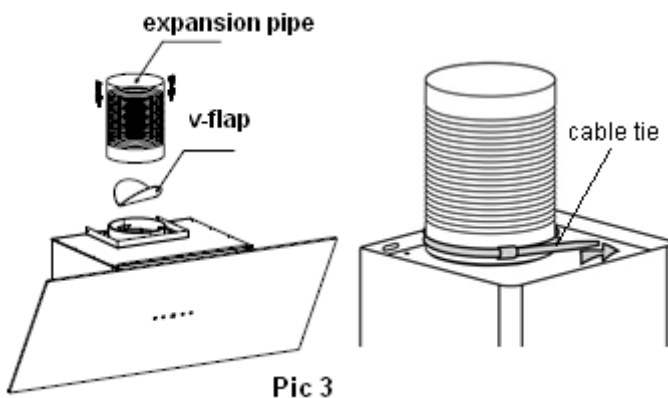


Pic 1

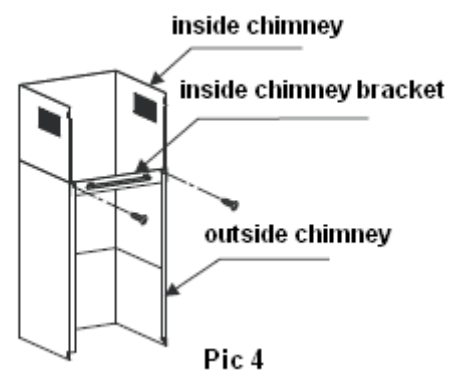
3. After decide the cooker hood height, measure the position of the holes for hanging hood and inside chimney bracket. Drill 4 $\phi 8$ holes, 2 for inside chimney bracket and 2 for hanging the hood, and keep the hood level. The fixed position of the inside chimney bracket is the highest place of inside chimney. See pic 2.
4. Screw 2pcs ST4 x 30mm screws on the wall with wall plugs to fix the hood, then use 2pcs ST4 x 40mm screws to fix the inside chimney bracket. See Pic 2.



5. Install the V-flap and expansion pipe onto the cooker hood. Fix the expansion pipe on the outlet with a cable tie. See Pic 3.



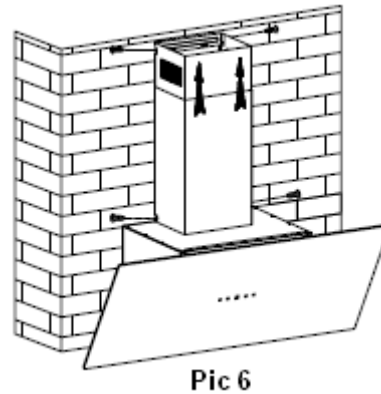
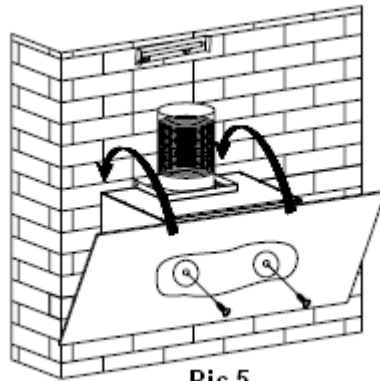
Pic 3



Pic 4

6. Install the outside chimney bracket onto the outside chimney with 2pcs ST4*8mm screws, make the inside chimney can be flexed freely inside. See Pic 4.
7. Make the hood hang on the wall mounted screws in the fixed position, adjusting the cooker hood position, fix the cooker hood with 2pcs ST4*30mm safety screws.
Note: The two safety vents are positioned on the back housing, with a diameter of 6mm. See pic 5.

8. Adjust the height of the inside chimney to the position of the inside chimney bracket and fix the inside chimney and outside chimney with 4pcs ST4*8mm screws. See Pic 6.

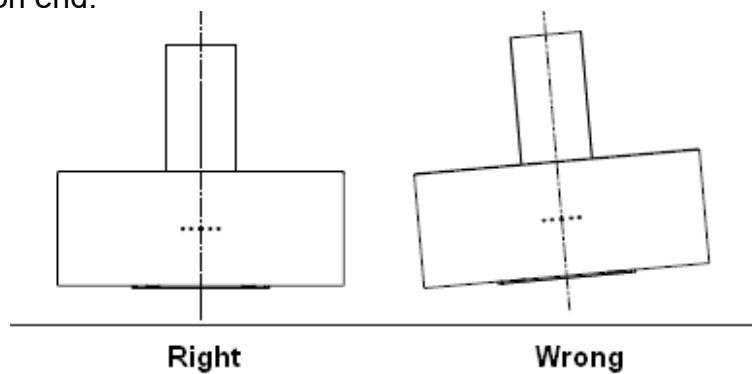


HINTS FOR EXHAUST DUCT INSTALLATION


The following rules must be strictly followed to obtain optimal air extraction:

- Keep exhaust duct short and straight
- Do not reduce the size or restrict the exhaust duct
- When using the flexible duct always install the duct pulled taut to minimize pressure loss
- Failure to observe these basic instructions will reduce the performance and increase noise levels of the range hood.
- Any installation work must be carried out by a qualified electrician or competent person.
- Do not connect the ducting system of the hood to any existing ventilation system which is being used for any other appliance, such as warmer tube, gas tube, hot wind tube.
- The angle of the bend of the ventilation pipe should not be less than 120°; you must direct the pipe horizontally, or, alternatively, the pipe should go up from the initial point and should be led to an outer wall.
- After the installation, make sure that the cooker hood is level to avoid grease collection at one end.

•After the installation ,make sure that the cooker hood is level to avoid grease collection at on end.

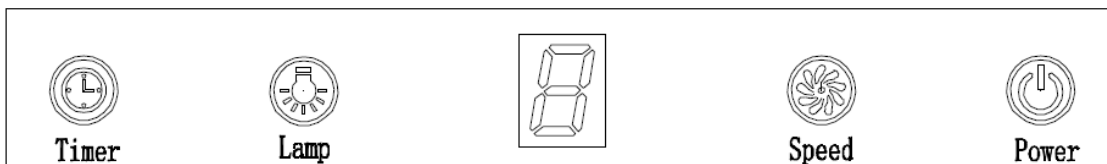


Ensure the exhaust ducting selected for installation complies with relevant standards and is fire retardant.

<p>WARNING:</p> 	<ul style="list-style-type: none"> ➤ For safety reason, please use only the same size of fixing or mounting screw which are recommended in this instruction manual. ➤ Failure to install the screws or fixing device in accordance with these instructions may result in electrical hazards.
---	--

Start Using Your Cooker Hood

Touch control with LED display



1. Press the “Power” button, the button control the “on” & “off ” of the hood.
2. Press the button “Speed” time after time, the motor runs as low / mid / high / low / mid..., the speed runs circularly; and the LED display will indicate as 1-2-3-1-2... circularly.
3. Press “Lamp” button, the light is on, press this button again, the light is off. Please note the Lamp is not under control of the on/off button.
4. When the hood is working, if press the “Timer” button, the hood will go into the status of acquiescent working (acquiescent time is 9mins), and then, LED display will be shown 9.8.7.6 ...decreasing by 1,when time is up, the hood will be off automatically and the lamp will extinguish. If pressing “Timer” button, the hood will go in or go out “Timer” function.

TROUBLESHOOTING

Fault	Possible Cause	Solution
Light on, but motor does not work	Fan switch turned off	Select a fan switch position.
	Fan switch failed	Contact service center.
	Motor failed	Contact service center.
Light does not work, motor does not work	House fuses blown	Reset/Replace fuses.
	Power cord loose or disconnected	Refit cord to power outlet. Switch power outlet on.
Oil leakage	One way valve and the outlet are not tightly sealed	Take down the one way valve and seal with sealant.
	Leakage from the connection of chimney and cover	Take chimney down and seal.
Lights not working	Broken/Faulty globes	Replace globes as per this instruction.
Insufficient suction	The distance between the range hood and the gas top is too far	Refit the range hood to the correct distance.
The Range hood inclines	The fixing screw not tight enough	Tighten the hanging screw and make it horizontal.

NOTE:



Any electrical repairs to this appliance must conform to your local, state and federal laws. Please contact the service centre if in any doubt before undertaking any of the above. Always disconnect the unit from the power source when opening the unit.

MAINTENANCE AND CLEANING

Caution:

- Before maintenance or cleaning is carried out, the cooker hood should be disconnected from the main power supply. Ensure that the cooker hood is switched off at the wall socket and the plug removed.



- External surfaces are susceptible to scratches and abrasions, so please follow the cleaning instructions to ensure the best possible result is achieved without damage.

GENERAL

Cleaning and maintenance should be carried out with the appliance cold especially when cleaning. Avoid leaving alkaline or acid substances (lemon juice, vinegar etc.) on the surfaces.

STAINLESS STEEL

The stainless steel must be cleaned regularly (e.g. weekly) to ensure long life expectancy. Dry with a clean soft cloth. A specialized stainless steel cleaning fluid may be used.

NOTE:

Ensure that wiping is done along with the grain of the stainless steel to prevent any unsightly crisscross scratching patterns from appearing.

CONTROL PANEL SURFACE

The inlay control panel can be cleaned using warm soapy water. Ensure the cloth is clean and well wrung before cleaning. Use a dry soft cloth to remove any excess moisture left after cleaning.

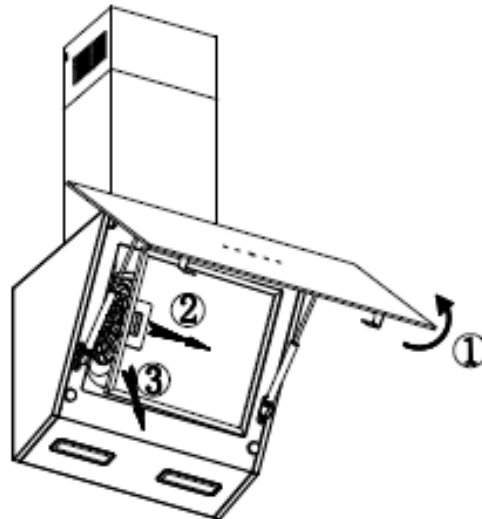
Important

Using neutral detergents and avoid using harsh cleaning chemicals, strong household detergents or products containing abrasives, as this will affect the appliance appearance and potentially remove any printing of artwork on the control panel and will void manufacturer's warranty.

GREASE MESH FILTERS

The mesh filters can be cleaned by hand. Soak them for about 3 minutes in water with a grease-loosening detergent then brush it gently with a soft brush. Please do not apply too much pressure, avoid to damage it. (Leave to dry naturally out of direct sunlight)

Filters should be washed separately to crockery and kitchen utensils. It is advisable not to use rinse aid.



INSTALLING GREASE MESH FILTERS

- To install filters for the following four steps .
- Angle the filter into slots at the back of the hood.
- Push the button on handle of the filter.
- Release the handle once the filter fits into a resting position.
- Repeat to install all filters.

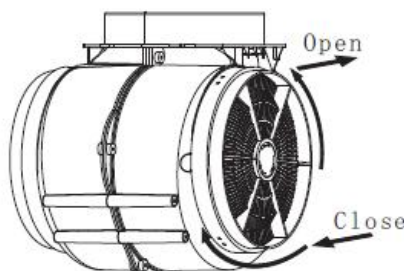
CARBON FILTER

Activated carbon filter can be used to trap odors. Normally the activated carbon filter should be changed at three or six months according to your cooking habit. The installation procedure of activated carbon filter is as below.

1. Before installing or replacing the carbon filters, please remove power to the unit.
2. Press the filter lock and remove the mesh filter.




3. Turn the carbon filter on both side of the motor anti-clockwise. Replace the carbon filters with the new carbon filters.
4. Place the mesh filter.
5. Connect the power supply to the wall socket.



NOTE:

- Make sure the filter is securely locked. Otherwise, it would loosen and cause dangerous.
- When activated carbon filter attached, the suction power will be lowered.

BULB REPLACEMENT

<p>Important :</p> 	<ul style="list-style-type: none">✧ The bulb must be replaced by the manufacturer, its service agent or similarly qualified persons.✧ Always switch off the electricity supply before carrying out any operations on the appliance. When handling bulb, make sure it is completely cool down before any direct contact to hands.✧ When handling globes hold with a cloth or gloves to ensure perspiration does not come in contact with the globe as this can reduce the life of the globe.
--	---

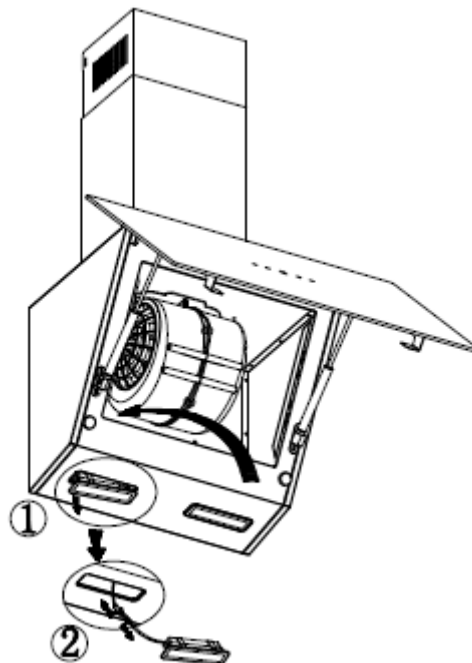
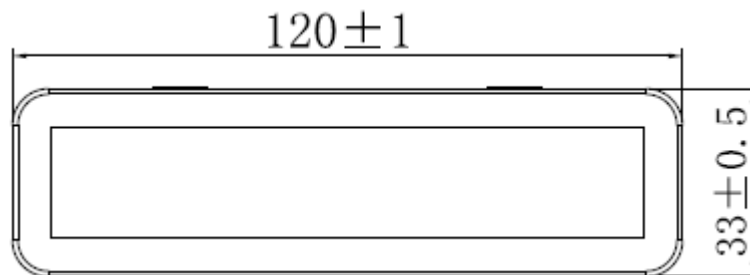
Note:

- Before changing the lights, make sure that the appliance is plugged off.
- Protect against danger when changing lights, such as wearing gloves.


Changing the lights:

- Remove the grease filter.
- Use a tool or the hand to press the spring splinter of both sides of LED light to the inside, until the light is pressed out. Then slightly pull the light connecting wire out, and dismantle the terminal of the light connecting wire.
- Apply the reverse procedure to reinstall the light.

- ILCOS D code for this lamp is: DSS-1.5/30-S-120/33
- LED modules –Square lamp
- Max wattage: 2 × 1.5W
- Voltage range: DC 12V
- Dimensions:



ENVIRONMENTAL PROTECTION:

	<p>This product is marked with the symbol on the selective sorting of waste electronic equipment. This means that this product must not be disposed of with household waste but must be supported by a system of selective collection in accordance with Directive 2012/19/EU. It will then be recycled or dismantled to minimize impacts on the environment, electrical and electronic products are potentially dangerous for the environment and human health due to the presence of hazardous substances. For more information, please contact your local or regional authorities.</p>
---	---

NOTE:

The following shows how to reduce total environmental impact (e.g. energy use) of the cooking process).

- (1) Install the cooker hood in a proper place where there is efficient ventilation.
- (2) Clean the cooker hood regularly so as not to block the airway.
- (3) Remember to switch off the cooker hood light after cooking.
- (4) Remember to switch off the cooker hood after cooking.

INFORMATION FOR DISMANTLING

Do not dismantle the appliance in a way which is not shown in the user manual. The appliance could not be dismantled by user. At the end of life, the appliance should not be disposed of with household waste. Check with your Local Authority or retailer for recycling advice.

INNEHÅLL

INNEHÅLL.....	13
SÄKERHETSFÖRESKRIFTER.....	14
INSTALLATION (EVAKUERING)	16
FELSÖKNING	20
UNDERHÅLL OCH RENGÖRING	20
MILJÖSKYDD:	23

SÄKERHETSFÖRESKRIFTER

Denna bruksanvisning beskriver korrekt installation och användning av din flätkåpa. Läs noga igenom bruksanvisningen före användning av flätkåpan, även om du känner till produkten sedan tidigare. Spara bruksanvisningen på en säker plats för framtida referens.

Gör aldrig detta:

- Använd inte flätkåpan utan fettfilter eller med mycket nedsmutsade filter!
- Installera inte flätkåpan ovanför en spis med en högeffektiv grill.
- Lämna inte kastruller och stekpannor utan uppsikt under matlagningen eftersom överhettat fett eller olja kan fatta eld.
- Låt inga öppna lågor befinna sig under flätkåpan.



- Om flätkåpan är trasig, försök inte använda den.
- Flambara inte något under flätkåpan.
- **FÖRSIKTIGHET:** De åtkomliga detaljerna kan bli heta när de används tillsammans med matlagingskärl.
- Respektera minimiavståndet mellan spishällen och undersidan av flätkåpan. (Om flätkåpan är installerad ovanför en gasspis, ska detta avstånd vara minst 65 cm.)
- Luften får inte blåsas ut i en rökgång som används för att leda ut rök från apparater som förbränner gas eller andra bränslen.



Gör alltid detta:

- Viktigt! Stäng alltid av strömförsörjningen under installation och underhåll såsom lampbyte.
- Flätkåpan måste installeras i enlighet med installationsinstruktionerna och alla mått måste respekteras.
- Allt installationsarbete måste utföras av en kompetent person eller en behörig elektriker.
- Sopsortera förpackningsmaterialet på ett miljövänligt sätt. Små barn kan skadas av förpackningsmaterialet.
- Tänk på att det finns vassa kanter inuti flätkåpan under installation och rengöring.
- Se till att luftkanalen inte har några vinklar som överstiger 90 grader, eftersom det försämrar flätkåpan effektivitet.
- Varning: Underlåtelse att installera skruvar eller fästordning i enlighet med dessa instruktioner kan leda till elektrisk fara.
- Varning: All strömförsörjning måste vara bortkopplad innan arbete med kontakter utförs

Gör alltid detta:

- Använd alltid lock på kastruller och stekpannor när du lagar mat på en gasspis.
- I utsugsläget sugs luften i rummet ut av flätkåpan. Säkerställ att rummet har god ventilation.
- Flätkåpan är endast avsedd för hemmabruk.



- Om strömkabeln har skadats måste den bytas ut av tillverkaren eller tillverkarens servicerepresentant eller en annan kvalificerad person för att undvika risker.
- Den här apparaten får användas av barn från åtta (8) år och uppåt och av personer med nedsatt fysisk, sensorisk eller mental förmåga, eller bristfällig erfarenhet och kunskap, om de övervakas eller har instruerats i hur man använder apparaten på ett säkert sätt och så att de förstår riskerna. Barn ska inte leka med apparaten. Barn får inte utföra rengöring och underhåll utan tillsyn.



- Varning: All strömförsörjning måste vara bortkopplad innan arbete med kontakter utförs

Gör alltid detta:

- **Försiktighet:** Den här apparaten och dess åtkomliga delar kan bli varma vid användning. Undvik att röra vid uppvärmningselement. Barn som är yngre än åtta (8) år bör inte använda apparaten såvida de inte övervakas konstant.
- Se till så att det finns tillräckligt med ventilation i rummet när flätkåpan används samtidigt med apparater som drivs med gas eller andra bränslen.
- Det finns risk för brand om inte rengöring görs i enlighet med dessa instruktioner
- Regler angående kanalinstallation måste följas.
- Rengör flätkåpan regelbundet enligt beskrivningen i kapitlet UNDERHÅLL.
- Av säkerhetsskäl, använd enbart den storlek på fäst- eller monteringskruvar som rekommenderas i denna bruksanvisning.
- Gällande detaljer om tillvägagångssätt och frekvens för rengöring, se kapitlet om underhåll och rengöring i denna bruksanvisning.
- Barn får inte utföra rengöring och underhåll utan tillsyn.
- Om flätkåpan används samtidigt som apparater som drivs med något annat än elektricitet, får det negativa trycket i rummet inte överskrida 4 Pa (4×10^{-5} bar).
- **VARNING:** Brandfara: förvara inga föremål på kokyterna.
- Använd inte en ångtvätt.
- Försök **ALDRIG** släcka eld med vatten, utan stäng av apparaten och kväv sedan flammorna med t.ex. ett lock eller en brandfilt.

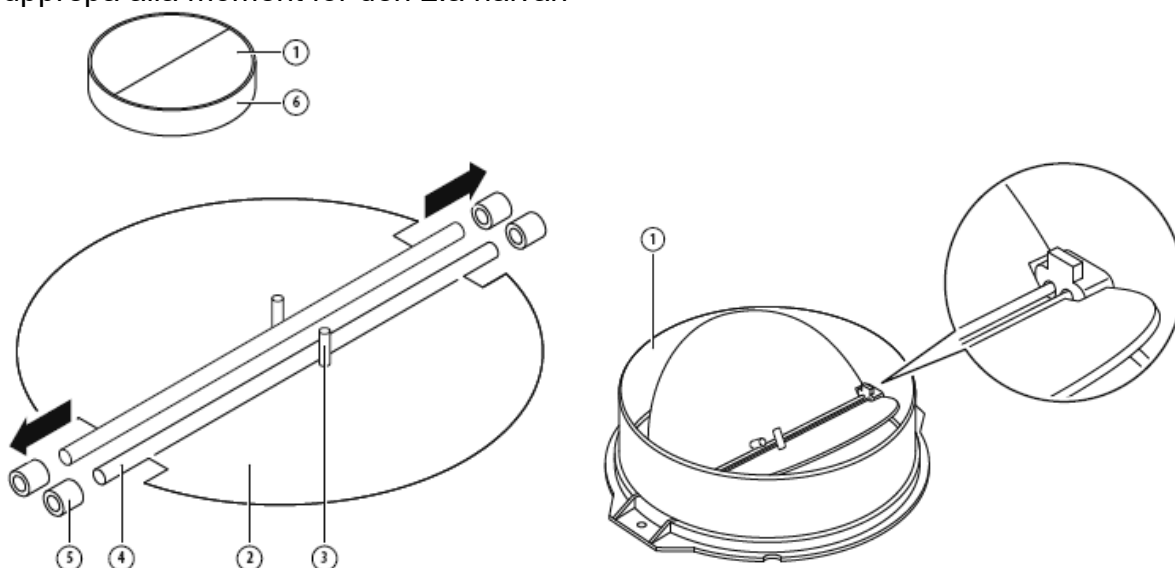
INSTALLATION (EVAKUERING)

MONTERING AV V-BACKSPJÄLL

Om fläktkåpan inte har ett monterat backspjäll(1) ska du montera halvorpå vid fläktkåpan. Bilderna visar ett generellt exempel på montering av backspjället. Utloppet kan se annorlunda ut beroende på modell och utförande.

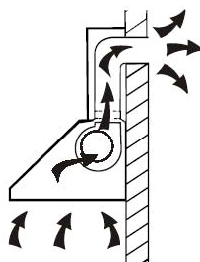
Montering av backspjäll (1):

- Montera de två halvorna (2) i enheten (6)
- stiftet (3) ska vara vänt uppåt
- axeln (4) ska sättas in i hålen (5) på huset
- upprepa alla moment för den 2:a halvan

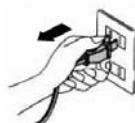


INSTALLATION

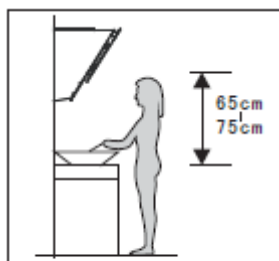
Om du har en imkanal för evakuering, kan du ansluta fläktkåpan enligt bilden nedan med hjälp av en slangatsats (skall vara godkänd för imkanal och ha en invändig diameter på minst 150 mm). Slangatsen ingår ej utan säljs som tillbehör.



1. Före installation, stäng av enheten och koppla bort den från strömkontakten.

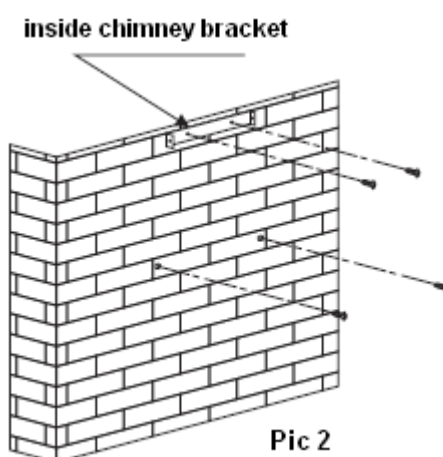


2. Fläktkåpan ska monteras 65-75 cm ovanför spishällen för bästa effekt.

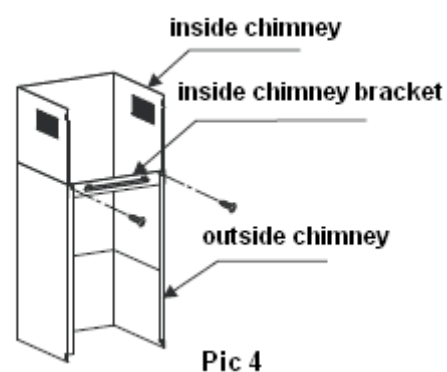
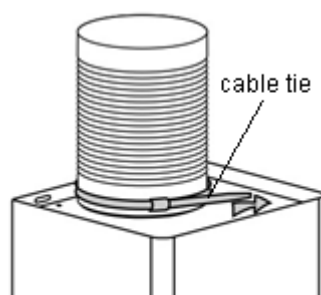
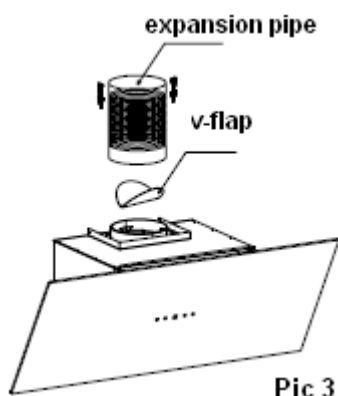


Pic 1

3. Bestäm flätkåpanns höjd, mät hålens position för flätkåpan och inuti skorstensfästet. Borra 4 $\varnothing 8$ hål, 2 för innerskorsten och 2 för att hänga upp flätkåpan. Läget för det inre skorstensfästet är den högsta platsen för innerskorsten. Se bild 2
4. Skruva 2st ST4 x 30mm skruvar på väggen med väggpluggar för att montera flätkåpan, använd sedan 2st ST4 x 40mm skruvar för att montera skorstensfästet. Se bild 2.

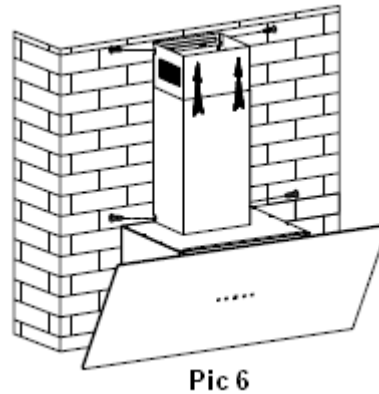
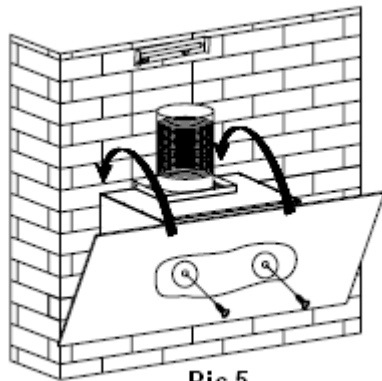


5. Montera backspjäll och slangatsats på flätkåpan. Slangatsatsen spänns fast med slangklämma eller liknande. Se bild 3.



6. Montera det yttre skorstensfästet på utsidan skorstenen med 2st ST4 * 8mm skruvar, gör att insidan skorstenen kan böjas fritt inuti. Se bild 4.
7. Häng upp flätkåpan på de väggmonterade skruvarna i fast läge, justera flätkåpanns läge, fixera flätkåpan med 2st ST4*30mm säkerhetsskruvar. Obs: De två hålen är placerade på rygghöljet, med en diameter på 6 mm. Se bild 5.

8. Justera höjden på innerskorstenen till det inre skorstensfästets läge och fäst innerskorstenen och ytterskorstenen med 4st ST4*8mm skruvar. Se bild 6.



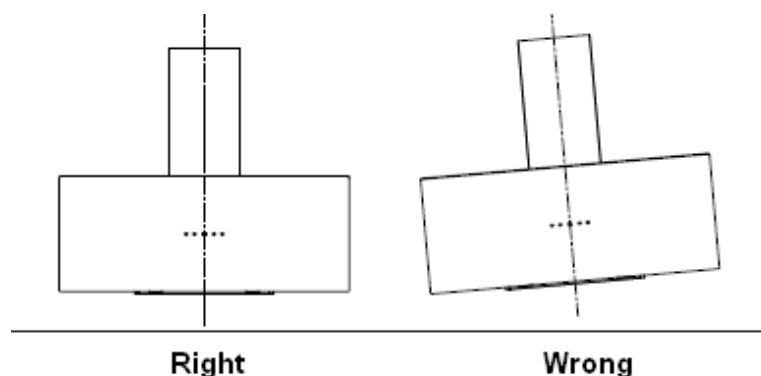
RÅD FÖR INSTALLATION AV IMKAMAL

Följande regler måste följas till punkt och pricka för att åstadkomma ett optimalt luftutsug:


- Utsugskanalen ska vara kort och rak
- Minska inte dess storlek och begränsa inte utsugskanalen

Vid användning av en flexibel slang, installera alltid kanalen utdragen och sträckt för att minimera tryckförlusten.

- Underlåtelse att följa dessa grundläggande instruktioner försämrar flätkåpens prestanda och ökar dess ljudnivå.
- Installationsarbete får endast utföras av en behörig elektriker eller kompetent person.
- Anslut inte flätkåpens kanalsystem till ett befintligt ventilationssystem som används till någon annan apparat som t.ex. värmerör, gasrör eller varmluftsror.
- Vinkeln på ventilationsrörets böj ska vara minst 120°; du måste rikta röret horisontellt eller låta röret gå uppåt från utgångspunkten och ledas till en yttervägg.
- Efter installation, kontrollera att flätkåpan är plan för att undvika att fett samlas på ena sidan.

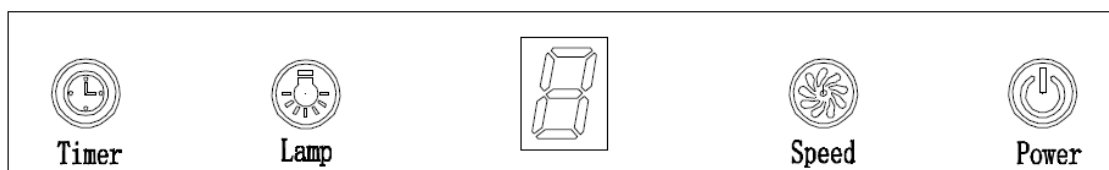


Kontrollera att utsugskanalen följer relevanta standarder och är brandhärdig.

<p>VARNING:</p> 	<ul style="list-style-type: none">➤ Av säkerhetsskäl ska du endast använda fäst- eller monteringskruvar av den storlek som rekommenderas i denna bruksanvisning.➤ Underlåtelse att installera skruvar eller fästnanordning i enlighet med dessa instruktioner kan leda till elektrisk fara.
--	--

Börja använda flätkåpan

Touchpanel med LED display



1. Tryck på "Power"-knappen som är flätkåpan's strömbrytarknapp.
2. Tryck på knappen "Speed" efter en viss tid. Motorn kan växla mellan hastigheterna låg / mellan / hög / låg / mellan LED-displayen visar hastigheten som 1-2-3-1-2... osv.
3. Tryck på knappen "Lamp". Belysningen tänds. Tryck på knappen igen belysningen släcks. Observera att belysningen inte är kopplad till på/av-knappen.
4. När flätkåpan är igång och du trycker på knappen "Timer" körs flätkåpan en viss tid (förinställd tid är 9 minuter) varefter LED-displayen visar 9.8.7.6... där värdet minskas med 1. När tiden har passerat stängs flätkåpan av automatiskt och lampan släcks. Om du trycker på "Timer"-knappen aktiveras eller inaktiveras "Timer"-funktionen.

FELSÖKNING

Fel	Möjlig orsak	Lösning
Lampan lyser men motorn fungerar inte.	Fläktbrytaren är frånslagen.	Välj ett driftsläge för fläktbrytaren.
	Fläktbrytaren är trasig.	Kontakta ett servicecenter.
	Motorfel.	Kontakta ett servicecenter.
Lampan fungerar inte, motorn fungerar inte.	Säkringarna är trasiga.	Återställ/byt ut säkringarna.
	Strömkabeln sitter löst eller har blivit bortkopplad.	Återanslut strömkabeln till eluttaget. Strömanslut eluttaget.
Oljeläckage.	Slang eller anslutningar är inte täta.	Täta anslutningar.
	Läckage från anslutningen mellan skorsten och flätkåpa.	Täta slanganslutningar och kontrollera att det inte är veck eller böjar.
Belysningen fungerar inte.	Trasiga lampor.	Byt lampor enligt denna instruktion.
Otillräckligt utsug.	Avståndet mellan flätkåpan och spishällen är för stort.	Sänk flätkåpan till rätt avstånd.
Flätkåpan lutar.	Fästskruven är inte tillräckligt åtdragen.	Dra åt upphängningsskruven och se till att den är horisontell.

OBS:



Eventuell elektrisk reparation av flätkåpan måste efterleva befintliga regelverk. Kontakta ditt servicecenter om du är osäker på hur du utför något av det ovanstående. Koppla alltid bort flätkåpan från nätströmmen om du ska öppna den.

UNDERHÅLL OCH RENGÖRING

Försiktighet:

- Innan underhåll eller rengöring ska flätkåpan kopplas bort från nätströmmen. Kontrollera att flätkåpan är avstängd vid eluttaget och att strömkabeln är bortkopplad.
- Externa ytor kan repas och bli slitna, så följ dessa rengöringsinstruktioner för att uppnå bästa resultat utan att skada flätkåpan.



ALLMÄNT

Rengöring och underhåll ska utföras när flätkåpan är sval. Lämna inte kvar några alkaliska eller sura substanser (citronsaft, ättika osv.) på flätkåpan.

ROSTFRITT STÅL

Den rostfria stálytan måste rengöras regelbundet (t.ex. varje vecka) för att säkra en

lång livslängd. Torka med en ren och mjuk trasa. Rengöringsmedel som är avsedda för rostfritt stål kan användas.

OBS:

Torka av flätkåpan enligt det rostfria stålets struktur för att undvika fula sicksackmönster.

KONTROLLPANELEN

Den infällda kontrollpanelen kan rengöras med varmt vatten och diskmedel. Se till att trasan är ren och väl urvriden före rengöring. Använd en torr och mjuk trasa för att eftertorka och avlägsna eventuell överskottsfukt.

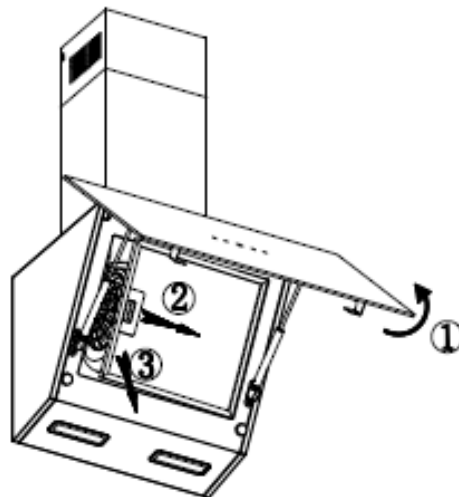
Viktigt

Använd neutrala rengöringsmedel. Undvik starka rengöringskemikalier, starka hushållsrengöringsmedel och slipande rengöringsmedel eftersom det försämrar enhetens utseende och kan eventuellt utplåna symbolerna på kontrollpanelen. Användning av sådana medel upphäver även tillverkarens garanti.

: 9HH: =@9F

Fettfilter kan rengöras för hand. Låt filtret ligga cirka tre (3) minuter i vatten tillsammans med diskmedel och diska det därefter försiktigt med en mjuk borste. Tryck inte för hårt på filtret eftersom det kan skadas. (Låt filtren lufttorka på en plats utan direkt solljus.)

Filter ska diskas separat från övrig disk. Använd inte sköljmedel.



MONTERA FETTFILTER

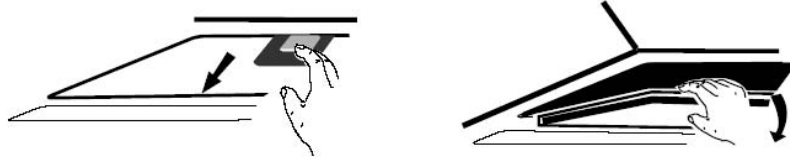
- Utför dessa fyra steg vid montering av filter.
 - Vinkla filtret mot öppningarna baktill på flätkåpan.
 - Tryck på knappen på filtrets handtag.
 - Släpp handtaget när filtret väl befinner sig i position.
 - Upprepa för att montera alla filter.

KOLFILTER

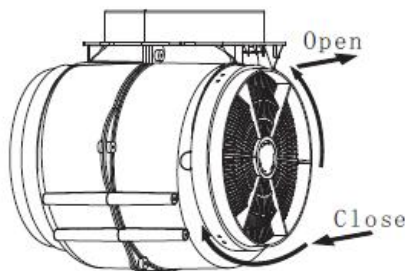
Ett filter med aktivt kol kan användas för att fånga upp dålig lukt. Normalt ska det

aktiva kolfiltret bytas ut med tre eller sex månaders mellanrum, beroende på hur ofta du lagar mat. Montering av aktiva kolfilter beskrivs nedan.

6. Innan du installerar eller byter ut aktiva kolfilter, koppla bort strömmen till flätkåpan.
7. Tryck på filterlåset och ta bort fettfiltret.




8. Vrid på kolfiltret motsols på båda sidor av motorn. Byt ut uttjänta aktiva kolfilter mot nya kolfilter.
9. Sätt tillbaka fettfiltret.
10. Anslut strömkabeln till eluttaget.



OBS:

- Kontrollera att filtret sitter säkert på plats. Annars kan det lossna och orsaka skada.
- När ett aktivt kolfilter är installerat minskar flätkåpens utsugseffekt.

BYTA LAMPA

<p>Viktigt:</p> 	<ul style="list-style-type: none">✧ Lampan måste bytas ut av tillverkaren, dess serviceagent eller liknande kvalificerad person.✧ Koppla alltid bort strömmen innan något arbete utförs på flätkåpan. Se till att lampan är sval innan du hanterar den.✧ Hantera lampor med en trasa eller handskar för att säkerställa att det inte kommer svett på lampan, vilket kan förkorta dess livslängd.
---	--

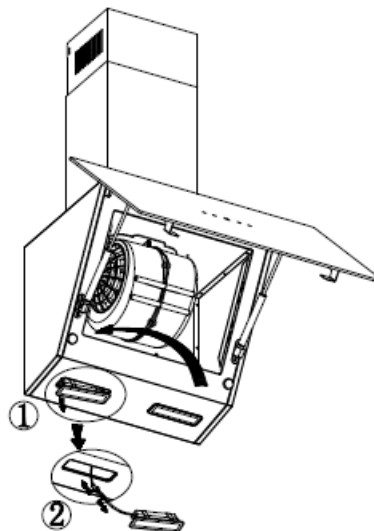
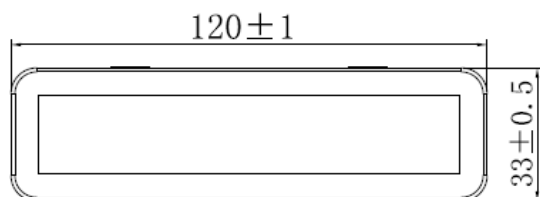
Obs:

- Innan byte av lampa, kontrollera att apparaten är avstängd.
- Använd handskar eller en trasa när du byter lampor.

Byta lampa:

- Ta bort fettfiltret.
- Använd ett verktyg eller handen för att trycka fjäderflisa på båda sidor av LED-lampan på insidan, tills lampan trycks ut. Dra sedan ut anslutningstråden något och demontera anslutningstrådens plint.
- Upprepa stegen i omvänd ordning för att sätta tillbaka lampan.

- ILCOS D code:DSS-1.5/30-S-120/33
- LED-moduler –Fyrkantig lampa
- Max wattal:2*1.5W
- Spänningsområde:DC 12V
- Dimensioner



MILJÖSKYDD:

	<p>Denna produkt är märkt med symbolen för elektronisk utrustning som ska sorteras separat. Det innebär att denna produkt inte får kastas i hushållssoporna, utan måste lämnas in på en återvinningsstation i enlighet med direktiv 2012/19/EU. Där kommer den att återvinnas eller monteras i sär för att minimera påverkan på miljön. Elektriska och elektroniska produkter kan vara skadliga för miljön och människors hälsa pga. förekomsten av farliga substanser. För mer information, vänligen kontakta dina lokala eller regionala myndigheter.</p>
--	---

OBS:

Följande beskriver hur du minskar miljöpåverkan (t.ex. energiförbrukning) när du lagar mat.

- (5) Installera flätkåpan på en lämplig plats med adekvat ventilation.
- (6) Rengör flätkåpan regelbundet så att utsuget inte täpps igen.
- (7) Kom ihåg att stänga av flätkåpans belysning efter matlagningen.
- (8) Kom ihåg att stänga av flätkåpan efter matlagningen.

INFORMATION VID DEMONTERING

Flätkåpan får inte tas isär på något sätt som inte beskrivs i denna bruksanvisning. Flätkåpan får inte demonteras av användaren. När flätkåpan är uttjänt får den inte kastas i hushållssoporna. Rådfråga din lokala myndighet eller återvinningscentral angående återvinning.

SISÄLTÖÄ

SISÄLTÖÄ	24
TURVALLISUUSOHJEET	25
ASENNUS(TUULETUSAUKKO ULKOPUOLELLA)	27
VIANMÄÄRITYS	31
HUOLTO JA PUHDISTUS	31
YMPÄRISTÖNSUOJELU:	34

TURVALLISUUSOHJEET

Tässä käyttöoppaassa selitetään liesituulettimen oikea asennus ja käyttö. Lue se huolellisesti ennen käyttöä, vaikka tuote olisi sinulle tuttu. Säilytä käyttöopas tallessa tulevaa käyttöä varten.

Älä koskaan:

- Yritä käyttää liesituuletinta ilman rasvasuodattimia, tai jos suodattimet ovat hyvin rasvaisia!
- Älä asenna sellaisen liedен yläpuolelle, jossa on korkeatasoinen grilli.
- Älä jätä paistinpannuja valvomatta käytön aikana, ylikuumentunut rasva tai öljy voi aiheuttaa tulipalon
- Älä koskaan jätä avotulta liesituulettimen alle.



- Jos liesituuletin on vahingoittunut, älä yritä käyttää sitä.
- Älä liekitä liesituulettimen alla.
- **VAARA:** Jotkin liesituulettimen osat voivat kuumentua käytettäessä yhdessä liedен kanssa.
- Minimietäisyys liedен ruoanlaittoastioita tukevan pinnan ja liesituulettimen matalimman osan välillä. (Kun liesituuletin sijaitsee kaasulieden yläpuolella, minimietäisyyden tulee olla vähintään 65 cm)
- Ilmaa ei saa johtaa kanavaan, jota käytetään pakokaasujen poistamiseen laitteista, jotka polttavat kaasua tai muita polttoaineita.



Aina tehtävä:

- Tärkeää! Kytke verkkovirta aina pois päältä asennuksen ja huollon aikana, kuten lampua vaihdettaessa.
- Liesituuletin on asennettava asennusohjeiden mukaisesti ja kaikkia toimenpiteitä on noudatettava.
- Asennustyöt saa suorittaa vain asiantunteva henkilö tai pätevä sähköteknikko.
- Hävitä pakkausmateriaali huolellisesti. Se voi olla vaarallinen lapsille.
- Kiinnitä huomiota teräviin reunoihin liesituulettimen sisällä, erityisesti asennettaessa ja puhdistettaessa.
- On suositeltavaa, ettei putkistossa ole 90 asteen jyrkempiä mutkia koska ne vähentävät liesituulettimen tehokkuutta.
- **Varoitus:** Jos ruuveja tai kiinnityslaitetta ei kiinnitetä näiden ohjeiden mukaisesti, seurauksena voi olla sähköiskun vaara.
- **Varoitus:** Ennen toimenpiteiden tekemistä liittimissä, kaikki virtapiirit on suljettava.

Aina tehtävä:

- Aseta aina kannet kattiloiden päälle, kun valmistat ruokaa kaasuliedellä.
- Kun liesituuletin on poistotilassa, se poistaa ilmaa huoneesta. Varmista, riittävä ilmanvaihto. Liesituuletin poistaa huoneesta hajuja, mutta ei höyryä.
- Liesituuletin on tarkoitettu vain kotitalouskäyttöön.



- JOS virtajohto on vahingoittunut, sen saa vaaran välttämiseksi vaihtaa uuteen vain valmistaja, valmistajan valtuuttama huoltoedustaja tai muu vastaavalla tavalla pätevä henkilö.
- Tätä laitetta saavat käyttää yli 8-vuotiaat lapset ja sellaiset henkilöt, joiden fyysiset tai henkiset kyvyt tai aistit ovat rajoittuneet tai joilla ei ole tarvittavaa kokemusta ja tietoa, jos heidän turvallisuudestaan vastuussa oleva henkilö valvoo tai opastaa heitä laitteen turvalliseen käyttöön ja selittää siihen kuuluvat vaarat. Lapset eivät saa leikkiä laitteella. Lapset eivät saa suorittaa puhdistustoimia tai käyttäjän kunnossapitotöitä ilman valvontaa.



Aina tehtävä:

- Vaara: Laitteen kosketettavissa olevat osat voivat kuumentua käytössä. Vältä kuumentuvien osien koskettamista Alle 8-vuotiaiden lasten tulee pysytellä poissa laitteen luota, jollei heitä valvota jatkuvasti.
- Huoneessa tulee olla riittävä ilmanvaihto, kun liesituuletinta käytetään yhdessä kaasulla tai muilla polttoaineilla toimivien liesien kanssa.
- Syntyy tulipalovaara, jollei puhdistusta suoriteta ohjeiden mukaisesti.
- Säädöksiä ilman poistamisesta tulee noudattaa.
- Puhdista laite säännöllisesti KUNNOSSAPITO-luvussa kuvatuilla tavoilla.
- Käytä turvallisuusyistä vain tässä käyttöoppaassa suositeltuja saman kokoisia kiinnitysruuveja.
- Katso lisätietoja puhdistuksen ajankohdasta ja menetelmästä käyttöoppaan ylläpito- ja puhdistusosasta.
- Lapset eivät saa suorittaa puhdistus- tai ylläpitotoimia ilman valvontaa.
- Kun liesituuletin ja liedet, jotka toimivat muulla kuin sähköllä, ovat käytössä yhtä aikaa, huoneen alipaine ei saa olla suurempi kuin 4 Pa (4 x 10⁻⁵ baria).
- VAROITUS: Tulipalovaara: älä säilytä mitään tavaroita liedellä.
- Höyrypuhdistinta ei saa käyttää.
- ÄLÄ KOSKAAN yritä sammuttaa tulta vedellä, vaan kytke laite pois päältä ja peitä liekki kannella tai sammutuspeitteellä.

ASENNUS (ILMANPOISTO ULOS)

V-LÄPPÄN KIINNITTÄMINEN

Jos liesituulettimessa ei ole koottuna V-läppä 1:tä, sinun tulee kiinnittää puolikasosat sen runkoon. Kuvissa näytetään vain esimerkki kuinka V-läppä kiinnitetään, koska poistoputki voi vaihdella eri mallien ja kokoonpanojen mukaan .

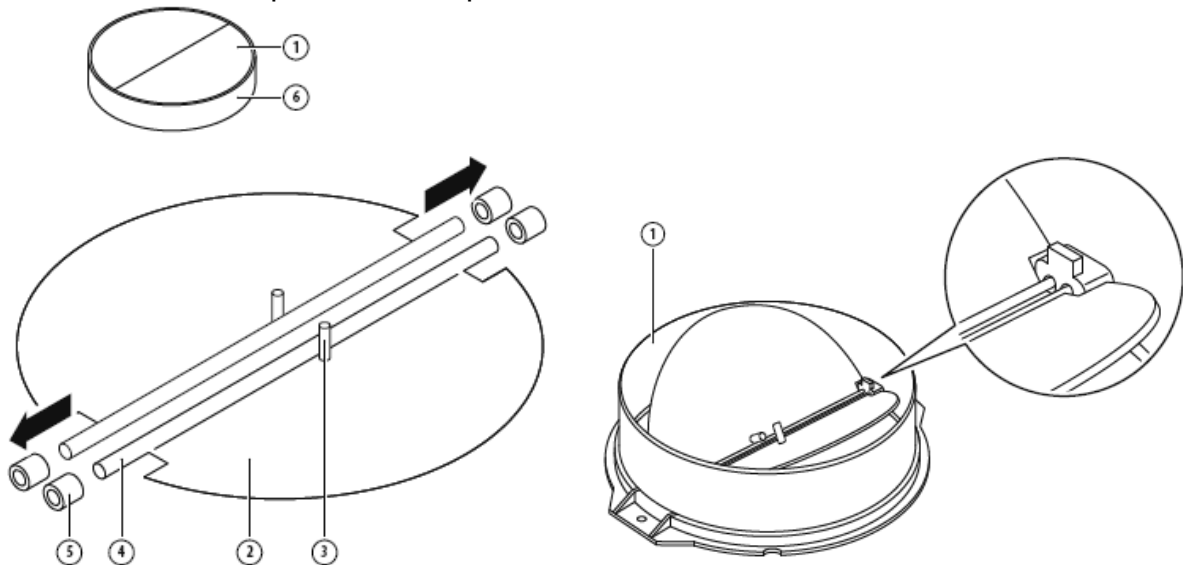
V-läppä 1:n kiinnittämiseksi sinun tulee:

Kiinnitä kaksi puoliosaa 2 runkoon 6

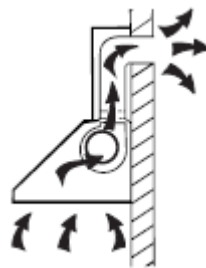
Tangon 3 tulee olla suunnattuna ylös;

Akseli 4:n tulee olla liittä reikiin 5 rungossa;

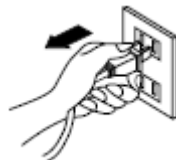
Toista samat toimenpiteet toiselle puoliosalle



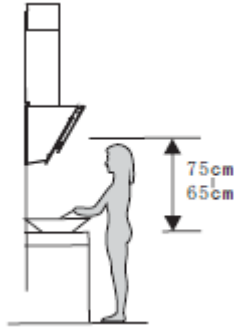
Jos liität liesituulettimen ulos menevään poistokanavaan, liesituulettimen voi liittää kuten alla olevassa kuvassa poistokanavalla (metallinen kierrasaumakanava tai muu vastaava, jonka sisähalkaisija on 150mm)



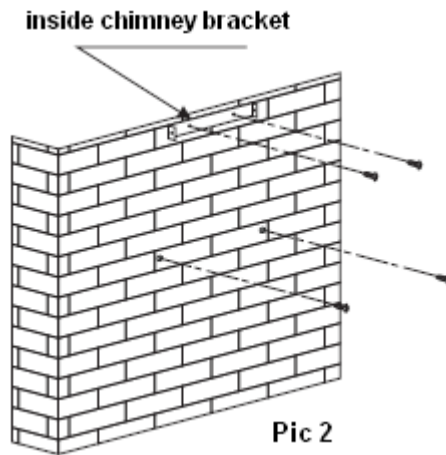
1. Kytke laite ennen asennusta pois päältä ja irrota se pistorasiasta.



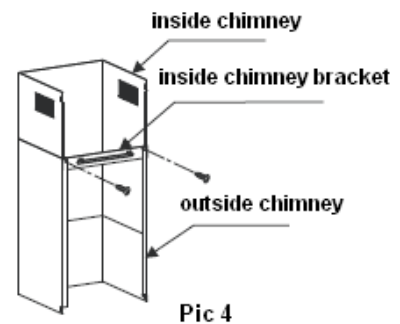
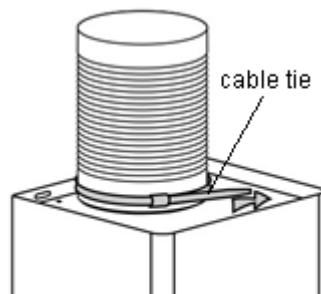
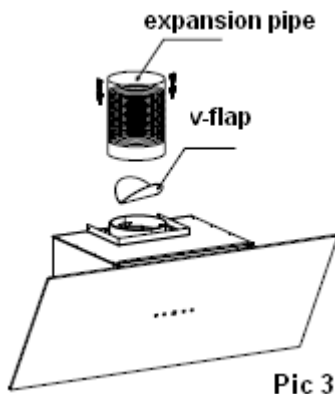
2. Liesituuletin tulee sijoittaa 65–75 cm:n etäisyydelle liedon yläpuolelle parhaan tehon saavuttamiseksi.



3. Kun olet päättänyt liesikuvun korkeuden, mittaa kuvun ja suoja-putken pidikkeen reikien sijainti. Pora 4 $\varnothing 8$ reikää, 2 suoja-putken pidikkeeseen ja 2 kuvun ripustamiseen ja pidä liesituuletin suorassa. Suoja-putken kiinnikkeen kiinnityskohta on suoja-putken korkein paikka. Katso kuva 2.
4. Ruuvaa 2kpl ST4 x 30mm ruuveja seinään käyttämällä seinämateriaalille soveltuvia kiinnitystulppia, käytä sitten 2kpl ST4 x 40mm ruuveja kiinnittääksesi suoja-putkenkiinnike. Katso kuva 2.



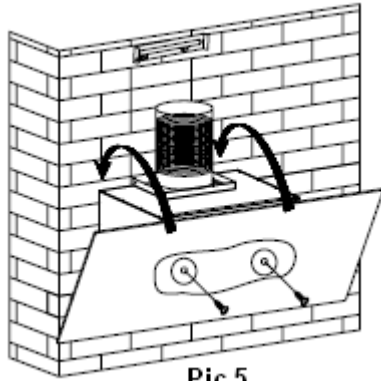
5. Asenna V-läppä ja poistokanava lähtökaulukseen. Kiinnitä poistokanava tukevasti lähtökaulukseen. Katso kuva 3.



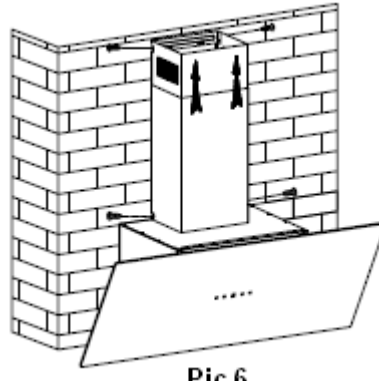
6. Asenna suoja-putken kiinnike ulompaan suoja-putkeen käyttämällä 2kpl ST4 * 8mm ruuveja, jotta sisempi suoja-putki voidaan työntää helposti sisään. Katso kuva 4.
7. Asenna liesituuletin ripustamalle se seinälle kiinnitettyihin ruuveihin, säädä tarvittaessa liesituulettimen asentoa ja kiinnitä liesituuletin 2kpl ST4 * 30mm

turvaruuveilla. Huomautus: Kaksi turva-ruuvien aukkoa on sijoitettu takakoteloon, halkaisijaltaan 6 mm. Katso kuva 5.

8. Säädä sisemmän suojaputken korkeus suojaputken kiinnityskannakkeeseen ja kiinnitä sisempi suojaputken 4kpl ST4 * 8mm ruuveilla. Katso kuva 6



Pic 5

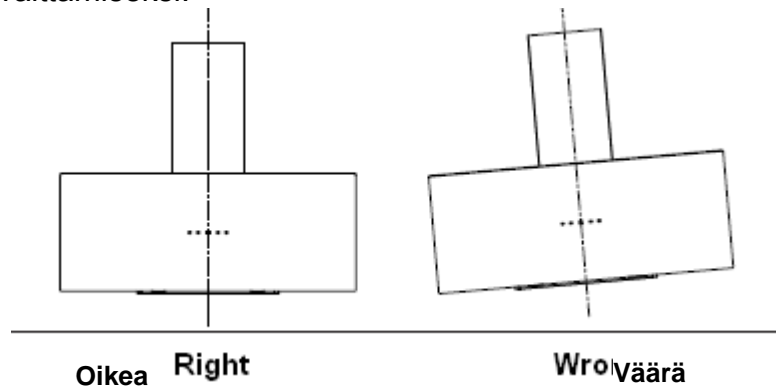


Pic 6


VINKKEJÄ POISTOKANAVAN ASENTAMISEEN

Seuraavia sääntöjä on noudatettava tarkasti optimaalisen ilmanpoiston saavuttamiseksi:

- Pidä poistokanava lyhyenä ja suorana.
- Älä pienennä kokoa tai rajoita poistokanavaa.
- Kun käytät poistokanavaa, asenna kanava aina vedettynä tiukasti minimoidaksesi paineen menetyksen.
- Näiden perusohjeiden huomiotta jättäminen vähentää liesituulettimen suorituskykyä ja lisää melutasoa.
- Asennustyöt saa suorittaa vain pätevä sähkötekniikko tai asiantunteva henkilö.
- Älä liitä liesituulettimen putkijärjestelmää mihinkään muiden laitteiden käyttämään, olemassa olevaan tuuletusjärjestelmään.
- Ilmastointiputken kallistuskulma ei saa olla alle 120°; putki on suunnattava horisontaalisesti tai vaihtoehtoisesti putken tulee mennä ylös aloituskohdasta ja kulkea ulkoseinään.
- Varmista asennuksen jälkeen, että liesituuletin on vaakasuorassa rasvan kertymisen välttämiseksi.

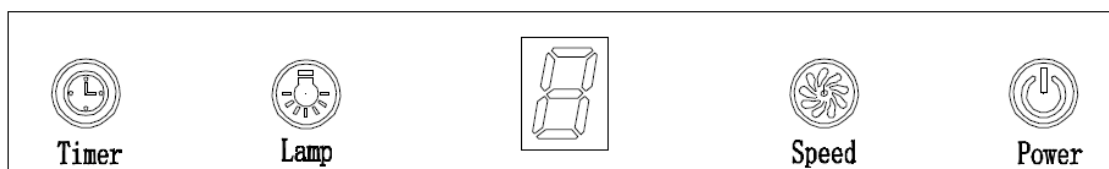


Varmista, että asennukseen valittu jatkoputki on asiaankuuluvien standardien mukainen ja tulenkestävä.

<p>VAROITUS:</p> 	<ul style="list-style-type: none">➤ Käytä turvallisuussyistä vain tässä käyttöoppaassa suositeltuja saman kokoisia kiinnitysruuveja.➤ Jos ruuveja tai kiinnityslaitetta ei kiinnitetä näiden ohjeiden mukaisesti, seurauksena voi olla sähköiskun vaara.
--	---

Liesituulettimen käytön aloittaminen

Kosketusohjaus LED-näytöllä



- 1) Paina "Virta"-painiketta, painike ohjaa kuvun "päälle" ja "pois päältä".
- 2) Paina painiketta "Nopeus" kerta toisensa jälkeen, moottori toimii nopeuksilla alhainen / keski / korkea / matala / keski..., nopeus vaihtuu kierteisesti; ja LED-näytöllä näkyy 1-2-3-1-2... kierteisesti.
- 3) Paina "Lamppu"-painiketta, valo syttyy, paina tätä painiketta uudelleen, valo sammuu. Huomaa, että lamppu ei ole on/off-painikkeesta riippuvainen.
- 4) Kun liesituuletin on toiminnassa ja painat "Ajastin"-painiketta, liesituuletin on päällä tietyn ajan (esiasetettu aika on 9min) ja LED-näyttössä näkyy jäljellä oleva aika 9.8.7.6 ... 1. Kun aika on kulunut, liesituuletin sammuu automaattisesti ja lamppu sammuu. "Ajastin"-painikkeen painaminen joko aktivoi tai lopettaa "Ajastin"-toiminnon.

VIANETSINTÄ

Vika	Mahdollinen syy	Ratkaisu
Valo palaa, mutta moottori ei toimi	Tuulettimen kytkin kytketty pois	Valitse tuuletinkytkimen asento
	Tuulettimen kytkeminen epäonnistui	Ota yhteyttä huoltokeskukseen.
	Moottorivika	Ota yhteyttä huoltokeskukseen.
Valo ei pala, moottori ei toimi	Sulake palanut	Nollaa/vaihda sulakkeet.
	Virtakaapeli löysällä tai irti	Liitä virtakaapeli uudelleen pistorasiaan. Kytke pistorasia päälle.
Öljyvuoto	Kylmäsuojaventtiili ja lähtökaulus eivät ole tiukasti tiivistettyjä	Irrota kylmäsuojaventtiili ja tiivistä se tiivistysaineella.
	Vuoto suojaputken ja tuulettimen liitännästä	Laske suojaputki alas ja tiivistä.
Valot eivät toimi	Rikkinäiset tai vialliset lamput	Vaihda lamput tämän ohjeen mukaisesti
Riittämätön imu	Liesituulettimen ja kaasulieden välinen etäisyys on liian pitkä	Kiinnitä liesituuletin uudelleen oikealle etäisyydelle.
Liesituuletin kallellaan	Kiinnitysruuvi ei ole tarpeeksi tiukalla	Kiristä ripustusruuvi ja tee siitä vaakasuora.

HUOMAUTUS:



Kaikkien tämän laitteen sähkötoiden tulee noudattaa kansallisia lakeja. Ota yhteyttä huoltokeskukseen, jos sinulla on epäilyksiä ennen mihinkään yllä olevaan toimenpiteeseen ryhtymistä. Irrota laite aina ensin virtalähteestä, kun avaat laitteen.

KUNNOSSAPITO JA PUHDISTUS

Vaara:

- Ennen kunnossapidon ja puhdistuksen suorittamista, liesituuletin tulee irrottaa verkkovirrasta. Varmista, että liesituuletin on kytketty pois päältä irrottamalla pistoke pistorasiasta.
- Ulkopinnat ovat alttiita naarmuuntumiselle ja hioutumiselle, joten noudata puhdistusohjeita saadaksesi parhaat mahdolliset tulokset vahinkoja aiheuttamatta.



YLEISTÄ

Puhdistus ja kunnossapito tulee suorittaa laitteen ollessa kylmä, erityisesti puhdistaminen. Vältä emäksisten tai happamien materiaalien (sitruunamehu, etikka jne.) jättämistä pinnoille.

RUOSTUMATON TERÄS

Ruostumaton teräs on puhdistettava säännöllisesti (esim. viikoittain) pitkän käyttöiän varmistamiseksi. Erityistä ruostumattoman teräksen puhdistusainetta voi myös käyttää.

HUOMAUTUS:

Varmista, että pyyhkiminen tapahtuu ruostumattoman teräksen pintarakenteen myötäisesti välttääksesi näkymättömien riistiinpyyhintäkuvioiden ilmaantumisen.

OHJAUSPANEELIN PINTA

Upotetun ohjauspaneelin voi puhdistaa lämpimällä pesuaineliuoksella. Varmista, että liina on puhdas ja puristettu ennen puhdistusta. Käytä kuivaa, pehmeää liinaa liian kosteuden poistamiseen puhdistuksen jälkeen.

Tärkeää

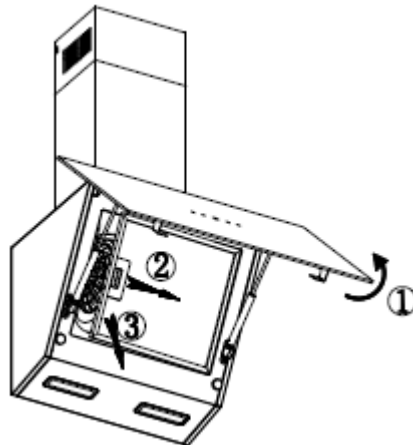
Käytä neutraaleja puhdistusaineita ja vältä voimakkaiden puhdistuskemikaalien, väkevien kotitalouspuhdistusaineiden tai tuotteiden, jotka sisältävät hiovia aineita, käyttämistä, koska ne vaikuttavat laitteen ulkoasuun ja poistavat mahdollisesti ohjauspaneelin somisteet ja mitätöivät valmistajan takuun.

RASVAVERKKOSUODATTIMET

Rasvasuodattimet voi puhdistaa käsin. Liota niitä vedessä ja miedossa pesuaineessa noin 3 minuuttia ja harjaa varovasti puhtaaksi pehmeällä harjalla. Älä käytä liikaa painetta välttääksesi suodattimen vahingoittumisen. (Anna kuivua luonnollisesti, ei auringonvalossa)

Suodattimet tulee pestä erillään astioista ja keittiövälineistä. On suositeltavaa olla käyttämättä huuhteluainetta.

Irrota rasvasuodatin seuraavan kuvan mukaisesti.



RASVANSUODATTIMIEN ASENNUS

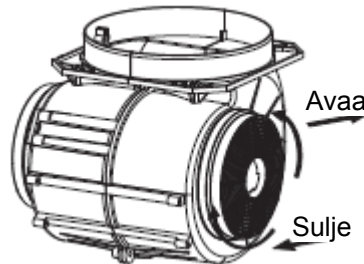
- Asenna suodattimet seuraavilla neljällä vaiheella.
- Aseta suodatin kulmittain aukkoihin liesituulettimen takana.
- Paina suodattimen kahvassa olevaa painiketta.
- Vapauta kahva, kun suodatin kiinnittyy lepoasentoonsa.
- Toista asentaaksesi kaikki suodattimet.

HIILISUODATIN (Toimitetaan erikseen)

Aktiivihiihisuodatinta voidaan käyttää hajujen suodattamiseen. Hiilisuodatin tulee vaihtaa normaalisti 3-6 kuukauden välein ruoanvalmistustavoistasi riippuen.

Aktiivihiihisuodattimen asennustoimenpide on seuraava.


1. Ennen hiilisuodattimien asennusta tai vaihtoa, kytke laitteen virta pois päältä.
2. Paina suodattimen lukkoa ja irrota verkkosuodatin.
3. Kierrä molemmilla puolilla moottoria olevia hiilisuodattimia vastapäivään. Vaihda hiilisuodattimet uusiin.
4. Aseta rasvasuodatin paikalleen.
5. Liitä virtakaapeli seinäpistorasiaan



HUOMAUTUS:

- Varmista, että suodatin on lukittu kunnolla. Muuten se voi löystyä ja aiheuttaa vaaran.
- Kun aktiivihiihisuodatin kiinnitetään, imuteho laskee.

LAMPUN VAIHTAMINEN

<p>Tärkeää:</p> 	<ul style="list-style-type: none">✧ Lampun voi vaihtaa valmistaja, tämän huoltoedustaja tai vastaavasti pätevä henkilö.✧ Kytke virransyöttö aina pois päältä ennen minkään huoltotoimenpiteen tekemistä laitteelle. Kun käsittelet lamppua, varmista, että se on kokonaan jäähtynyt ennen suoraa kosketusta.✧ Käsitellessäsi lamppuja pitele niitä liinalla tai hansikkailla varmistaaksesi, että hiki ei joudu kosketuksiin lampun kanssa, koska se voi lyhentää lampun käyttöikää.
---	--

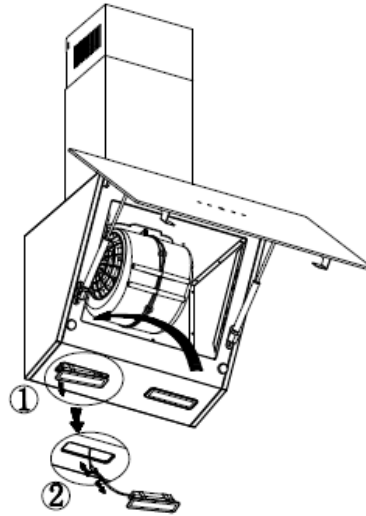
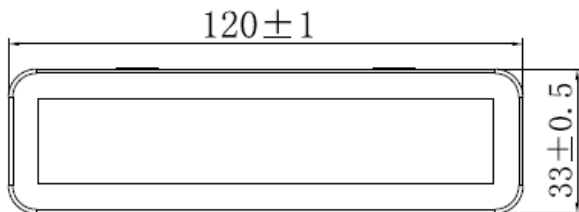
Huomautus:

- Ennen lamppujen vaihtamista, varmista, että laite on kytketty pois päältä ja irrotettu verkkovirrasta.
- Suojaudu vaaralta lamppuja vaihdettaessa, kuten käyttämällä käsineitä.

Lamppujen vaihtaminen

- Poista rasvasuodatin.
 - Paina työkalulla tai kädellä LED-valon molemmin puolin olevaa jousisirpaletta sisäpuolelle, kunnes valo painautuu ulos. Vedä sitten kevyesti liitäntäjohto ulos ja irrota valoliitäntäjohdon liitin.
 - Suorita uuden lampun asennus noudattaen vaiheita käänteisesti.
- Tämän lampun ILCOS D -koodi on: DSS-1.5/30-S-120/33
– LED-moduulit –nelikulmainen lamppu

- Maksimiteho: 2×1.5 W
- Jännitealue: DC 12V
- Mitat:



YMPÄRISTÖNSUOJELU

	<p>Tämä tuote on merkitty sähkölaiteromun valikoivan lajittelun symbolilla. Tämä tarkoittaa, että tätä tuotetta ei saa hävittää kotitalousjätteen mukana, vaan tuettuun valikoivaan keräysjärjestelmään 2012/19/EU-direktiivin mukaisesti. Tällöin tuote kierrätetään tai puretaan ympäristövaikutusten minimoimiseksi. Sähköiset ja elektroniset tuotteet ovat potentiaalisesti vaarallisia ympäristölle ja ihmisten terveydelle niiden vaarallisten aineiden vuoksi. Saat lisätietoja paikallisilta tai alueellisilta viranomaisilta.</p>
--	---

HUOMAUTUS:

Seuraavassa kerrotaan, kuinka vähennetään kokonaisympäristövaikutusta (esim. energiankulutusta) ruoanlaittoprosessissa.

- (1) Asenna liesituuletin oikeaan paikkaan, jossa on tehokas ilmanvaihto.
- (2) Puhdista liesituuletin säännöllisesti, jotta sen ilmakanava ei tukkeudu.
- (3) Muista kytkeä liesituulettimen lamppu pois päältä ruoanlaiton jälkeen.
- (4) Muista kytkeä liesituuletin pois päältä ruoanlaiton jälkeen.

PURKAMISOHJEET

Älä pura laitetta tavalla, jota ei ole selitetty käyttöoppaassa. Käyttäjä ei saa purkaa laitetta. Laitetta ei saa käyttökänsä päässä hävittää kotitalousjätteen mukana. Kysy paikallisilta viranomaisilta tai jälleenmyyjältä kierrätysohjeet.

INDHOLD

INDHOLD	57
SIKKERHEDSANVISNINGER	58
INSTALLATION (VENT OUTSIDE)	5:
FEJLFINDING	(○○○○○○○○).....64
VEDLIGEHOLDELSE OG RENGØRING	64
MILJØBESKYTTELSE	(○○○○○○○○)(○○○○○○○○).....67

SIKKERHEDSANVISNINGER

I denne vejledning forklares den korrekte monteringsmåde og brug af din emhætte. Læs den omhyggeligt, før du bruger produktet, også selvom du er bekendt med produktet. Vejledningen skal beholdes til senere reference.

Du må aldrig:

- Brug aldrig emhætten uden monterede fedtfiltere samt hvis filterene er for snavsede!
- Monter ikke over et komfur med høj grill.
- Efterlad ikke stegepander uden opsyn, når de er i brug, da overophedet fedt eller olie kan bryde i brand.
- Efterlad aldrig åbne flammer under emhætten.



- Hvis emhætten er beskadiget, må du ikke bruge den.
- Foretag ikke flambering under emhætten.
- **FORSIGTIG:** Tilgængelige dele kan blive varme, når du bruger kogepladerne.
- Mindsteafstanden mellem komfurets overflade og emhættens nederste del er 65 cm (når emhætten monteres over et gaskomfur, denne afstand)
- Aftræksluften må ikke ledes sammen med aftræk fra komfur med gas eller andre brandbare stoffer.



Du skal altid:

- **Vigtigt!** Sluk altid for hovedstrømafbryderen, når emhætten monteres eller serviceres, herunder hvis du fx skal skifte en pære i emhætten.
- Emhætten skal monteres iht. monteringsvejledningen, og alle angivne mål skal overholdes.
- Alt monteringsarbejde skal udføres af en kompetent person eller autoriseret elektriker.
- Bortskaf emballagen korrekt. Må ikke overlades til børn.
- Vær opmærksom på de skarpe kanter indeni emhætten, og særligt under montering og rengøring.
- Aftrækskanalen bør ikke have bøjninger, som er skarpere end 90 grader, da dette vil reducere emhættens effektivitet.
- **Advarsel:** Hvis monteringen af skruer eller beslag ikke foretages iht. denne vejledning, kan det medføre elektrisk stød.
- **Advarsel:** Før du åbner for adgang til strømterminaler, skal du afbryde strømmen.

Du skal altid:

- Læg altid lå på gryder og pander, når du bruger et gaskomfur.
- Når emhætten er i brug, trækkes luft ud af rummet. Sørg for at have tilstrækkelig med ventilation. Emhætten fjerner lugt fra lokalet, men ikke nødvendigvis damp.
- Emhætten er kun til husholdningsbrug.



- Hvis ledningen beskadiges, skal den skiftes af producenten, dennes servicerepræsentant eller en tilsvarende kvalificeret fagmand, så enhver fare undgås.
- Dette apparat må ikke bruges af børn under 8 år og af personer med nedsatte fysiske, sansemæssige eller mentale evner, eller med mangel på erfaring eller viden, hvis de ikke er under opsyn eller er blevet instrueret i, hvordan dette apparat bruges sikkert og forstår risikoen ved at bruge det. Børn må ikke lege med dette apparat. Rengøring og vedligeholdelse må ikke udføres af børn uden opsyn.



Du skal altid:

- Forsigtig: Apparatet og dets tilgængelige dele bliver varme under brug. Undgå at røre ved varmeelementerne. Børn under 8 år bør kun være til stede under permanent opsyn.
- Der skal være tilstrækkelig med ventilation i lokalet, når emhætten er i brug samtidig med at der bruges apparater, der brænder gas eller andre brændstoffer.
- Der er brandrisiko, hvis du ikke foretager rengøring iht. instruktionerne.
- Alle regler vedrørende afledning af luft skal overholdes.
- Rengør jævnligt apparatet iht. fremgangsmåden, der er beskrevet i afsnittet VEDLIGEHOLDELSE.
- Af sikkerhedsmæssige årsager bør du altid bruge den størrelse beslag og skruer som angives i denne brugervejledning.
- For yderligere oplysninger om hyppighed og fremgangsmåde ved rengøring henvises til afsnittet om vedligeholdelse og rengøring i brugervejledningen.
- Børn må ikke udføre rengørings- eller vedligeholdelsesarbejde uden opsyn.
- Hdu samtidig med emhætten bruger apparater, der bruger andet end elektricitet, må undertrykket i lokalet ikke overstige 4 Pa (4 x 10⁻⁵ bar).
- ADVARSEL: Brandfare: Genstande må ikke opbevares på kogepladen.
- Apparatet må ikke rengøres med damp.
- Prøv ALDRIG på at slukke en ild med vand, men sluk i stedet for apparatet og tildæk ilden med fx et låg eller et brandtæppe.

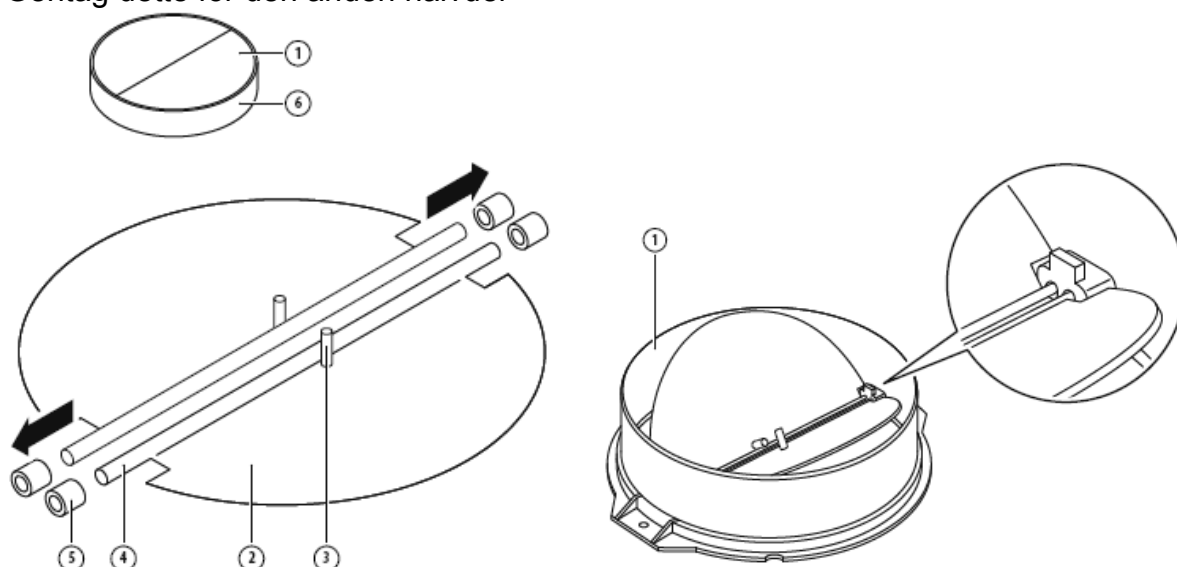
MONTERING (UDVENDIGT AFTRÆK)

MONTERING AF V-FLAPPEN

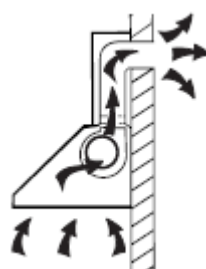
Hvis komfuret ikke har en samlet V-klap 1, skal du montere halvdelene på dens kabinet. Billederne viser kun et eksempel på montering af V-klappen, da stikkontakten kan variere afhængigt af forskellige modeller og konfigurationer.

Sådan samler du V-flappen 1:

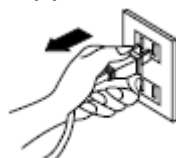
- Monter de to halvdele 2 på kabinettet 6
- Pinden 3 skal vende op;
- Akslen 4 skal sættes ind i hullerne 5 på kabinettet;
- Gentag dette for den anden halvdel



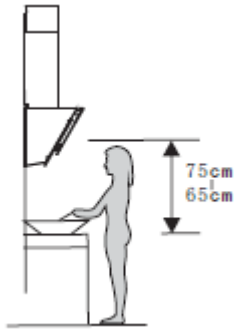
Hvis du har udendørs aftræk, kan du tilslutte emhætten i henhold til følgende trin med en aftrækskanal (støbejern, aluminium, flexrør eller andet ikke-brandbart materiale med en indvendig diameter på 150mm).



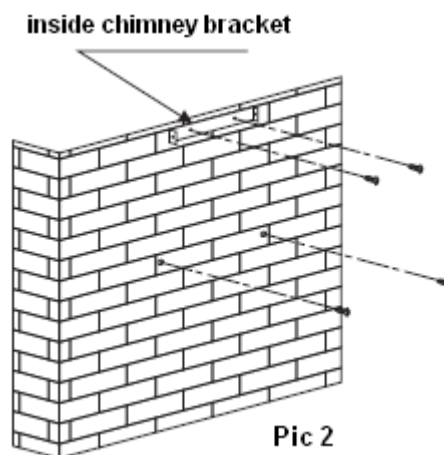
1. Før montering skal du slukke for apparatet og trække det ud af stikkontakten.



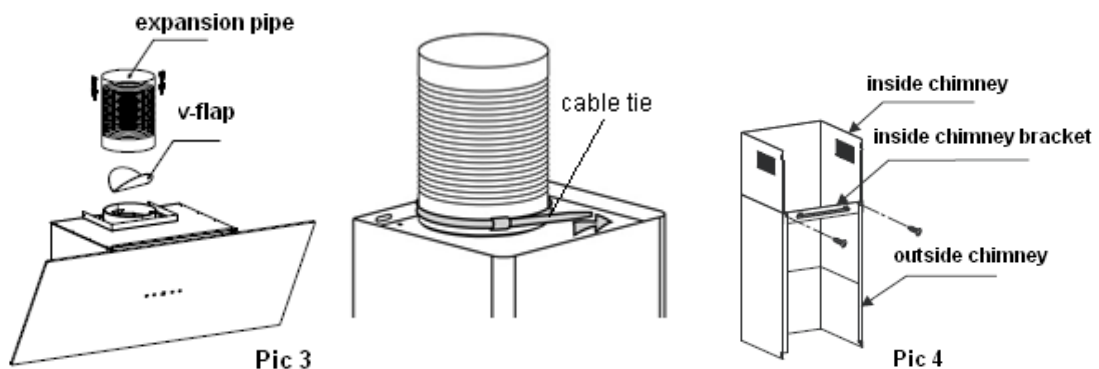
2. Emhætten bør placeres i en afstand på 65-75 cm over komfurets overflade for at få den bedste effekt.



3. Når du har besluttet emhættens højde, måles placeringen af hullerne til hængende hætte og indvendig skorstensbeslag. Bor 4 $\varnothing 8$ huller, 2 til indvendig skorstenbeslag og 2 til ophængning af emhætten, og hold hætten i vaten. Den faste position af den indvendige skorsten beslag er det højeste sted i indvendig skorsten. Se billede 2.
4. Skru 2stk ST4 x 30mm skruer på væggen med vægpropper til at fastsætte hætten, og brug derefter 2stk ST4 x 40mm skruer til at fastsætte den indvendige skorsten beslag. Se Pic 2.

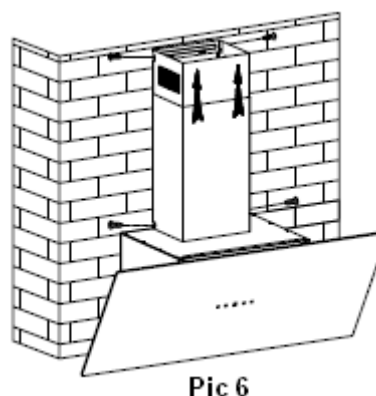
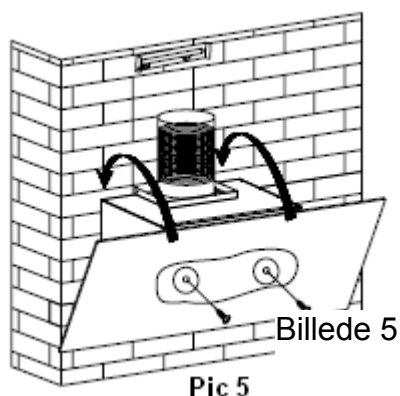


5. Installer V-flap og ekspansionsrør på emhætten. Fastgør ekspansionsrøret på stikkontakten med kabelslips. Se Pic 3.



6. Installer den udvendige skorsten beslag på den udvendige skorsten med 2stk ST4 * 8mm skruer, gør den indvendige skorsten kan bøjes frit inde. Se Pic 4.

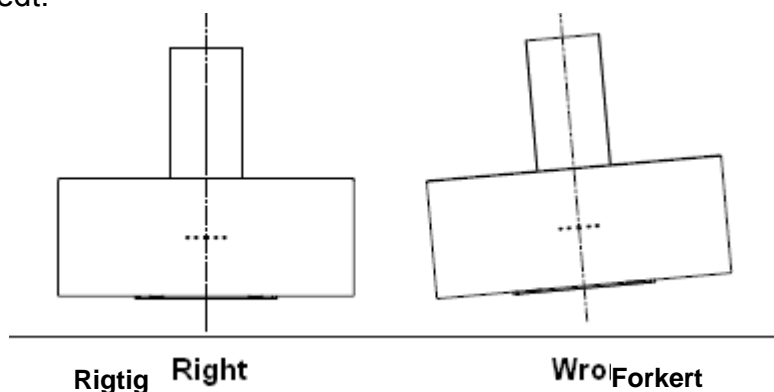
7. Få emhætten til at hænge på de vægmonterede skruer i fast position, justere emhættens position, fastgør emhætten med 2 stk. ST4*30mm sikkerhedsskruer. Bemærk: De to sikkerhedsåbninger er placeret på baghuset med en diameter på 6 mm. Se billede 5.
8. Sæt emhætten på væggen i en fast position, juster dens position og fastgør den med skruerne. Bemærk: De to sikkerhedshuller sidder bag på emhætten. De har en diameter på 6 mm.




TIP TIL MONTERING AF AFTRÆKSKANAL

Følgende forholdsregler bør overholdes for at opnå optimalt aftræk:

- Forlængerrøret skal være kort og lige.
- Undlad at afkorte forlængerrøret.
- Forlængerrøret skal altid sidde fast, så du undgår tryktab.
- Hvis du ikke overholder disse forholdsregler, reduceres emhættens ydeevne og dens støjniveau kan forøges.
- Montering skal altid udføres af en autoriseret elektriker eller en anden kompetent person.
- Forbind ikke aftrækssystemet fra emhætten til et eksisterende ventilationssystem, som bruges til andre apparater.
- Vinklen på ventilationsrørets bøjning må ikke være under 120°. Røret skal være vandret, ellers det skal gå op fra det oprindelige punkt og ledes til en ydre væg.
- Efter monteringen skal du kontrollere, at emhætten er i vatter, så du undgår, at der samler sig fedt.

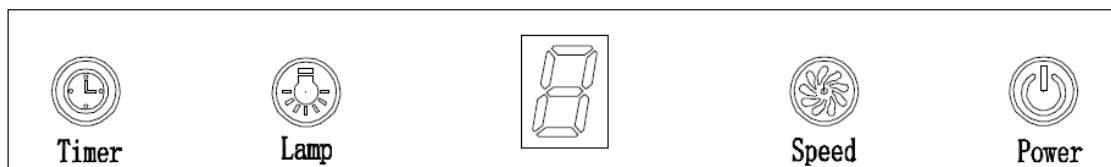


Sørg for at det valgte aftræksrør overholder de relevante standarder og er brandhæmmende.

<p>ADVARSEL:</p> 	<ul style="list-style-type: none">➤ Af sikkerhedsmæssige årsager bør du altid bruge den størrelse beslag og skruer som angives i denne brugervejledning.➤ Hvis monteringen af skruer eller beslag ikke foretages iht. denne vejledning, kan det medføre elektrisk stød.
--	--

Sådan bruger du din emhætte

Berøringskontrol med LED-skærm



- 1) Tryk på "Power"-knappen, knappen styrer "on" & "off" af emhætten.
- 2) Tryk på knappen "Speed" gang på gang, motoren kører så lavt / midt / høj / lav / midten ..., hastigheden kører cirkulært; og LED-displayet vil indikere som 1-2-3-1-2... Cirkulært.
- 3) Tryk på "Lampe"-knappen, lyset er tændt, tryk på denne knap igen, lyset er slukket. Bemærk, at lampen ikke er under kontrol af tænd/sluk-knappen.
- 4) Når hætten virker, hvis du trykker på "Timer" knappen, vil hætten gå ind i status for acquiescent arbejde (acquiescent tid er 9mins), og derefter vil LED display vises 9.8.7.6 ... med 1, når tiden er gået, slukkes emhætten automatisk, og lampen slukker. Hvis du trykker på "Timer"-knappen, vil hætten gå ind eller gå ud "Timer" funktion.

FEJLFINDING

Fejl	Mulig årsag	Løsning
Lyset er tændt, men motoren vil ikke køre.	Ventilatorknappen er slukket.	Vælg en anden indstilling for ventilatorknappen.
	Ventilatorknappen er gået i stykker	Kontakt servicecenter.
	Motor fejler	Kontakt servicecenter.
Lyset virker ikke og motoren virker ikke.	Der er måske gået en sikring, eller HPFI-relæet er slået fra	Tjek sikringerne.
	En ledning er løst eller afbrudt	Forbind ledningen til stikkontakten igen. Tænd for stikkontakten.
Olielækage	Envejsventil og udgangen er ikke ordentligt forsegllet	Afmonter envejsventilen og forsegl den korrekt.
	Lækage i udgangen og dækslet	Tag udgangen ned og forsegl den.
Lyset virker ikke	Pæren er sprunget	Udskift pæren iht. instruktionerne.
Utilstrækkelig sugsevne	Afstanden mellem emhætten og komfurets overdel er for stor	Flyt emhætten, så den har korrekt afstand.
Emhætten hælder	Monteringsskruen er ikke spændt til	Spænd ophængsskruen og indstil den vandret.

BEMÆRK:



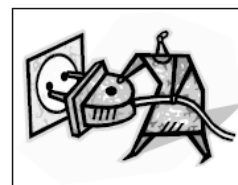
Eventuelle reparationer af det elektriske system skal overholde gældende lovgivning. Kontakt servicecenteret, hvis du er i tvivl, før du foretager dig noget af ovenstående. Du skal altid afkoble enheden fra strømmen, inden du åbner for enheden.

VEDLIGEHOLDELSE OG RENGØRING

Forsigtig:

Før du foretager vedligeholdelse eller rengøring, skal du afbryde emhætten fra strømmen. Kontroller at emhætten er slukket på stikkontakten, og at stikket er trukket ud af stikkontakten.

Udvendige overflader kan blive ridset eller slidte, så du bør følge rengøringsvejledningen for at sikre det bedst mulige resultat uden at beskadige enheden.



GENERELT

Rengøring og vedligeholdelse skal udføres med koldt udstyr, især ved rengøring. Undgå at efterlade alkaliske eller sure stoffer (citronsaft, eddike og lignende) på

overfladerne.

RUSTFRIT STÅL

Emhættens rustfri stål skal rengøres jævnligt (fx en gang om ugen) for at sikre en lang levetid. Tør efter med en tør klud. Du kan eventuelt anvende en særlig rengøringsvæske til rustfrit stål.

BEMÆRK:

Sørg for at aftørre overfladerne i en ensartet retning på det rustfrie stål, da du ellers kan risikere at lave mikroridser på kryds og tværs.

BETJENINGSPANELETS OVERFLADE

Betjeningspanelets indlæg kan rengøres i varmt sæbevand. Kluden skal være ren og hårdt opvredet. Brug en tør, blød klud til at fjerne overskydende fugt efter rengøring.

Vigtigt

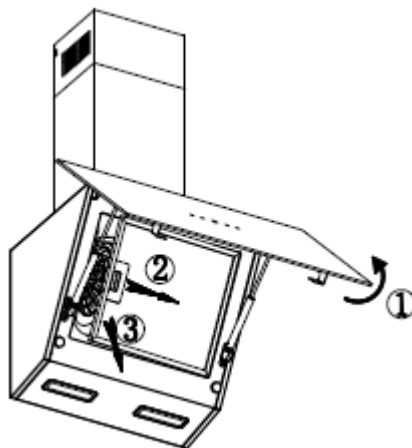
Brug neutrale rengøringsmidler og undgå at bruge kraftige rengøringsmidler som fx opvaskemidler eller produkter, der indeholder slibemidler, da dette vil påvirke apparatets udseende og eventuelt fjerne påtrykte tegn og figurer fra kontrolpanelet. Desuden vil det ugyldiggøre produktgarantien.

FEDTFILTRE

Fedtfiltrene kan rengøres i hånden. Læg dem i blød i ca. 3 minutter i vand tilsat et mildt rengøringsmiddel, og børst dem forsigtigt rene med en blød børste. Tryk ikke for hårdt, da det kan beskadige filteret. (Læg det til tørre i køkkenet, dog ikke i direkte sollys.)

Filtre skal vaskes separat til køkkentøj og køkkenredskaber. Det anbefales ikke at bruge skyllemiddel.

Følg billedet herunder, for at afmontere fedtfilteret.



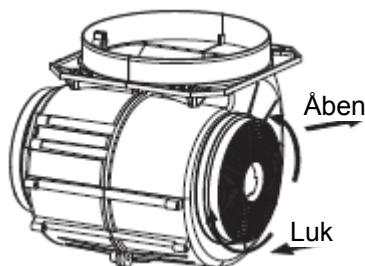
SÅDAN SÆTTER DU FEDTFILTRENE I

- Fedtfiltrene sættes i på følgende måde.
- Sæt filtrene i en vinkel ind i hakkerne bagerst i emhætten.
- Tryk på knappen på filterhåndtaget.
- Slip håndtaget, når filteret sidder korrekt på plads.
- Gentag for de øvrige filtre.

KULFILTER (leveres separat)

Et aktiveret kulfilter til at opsamle dårlig lugt. Normalt bør et aktiveret kulfilter udskiftes hver 3-6 måneder alt efter dine madlavningsvaner. Monteringsproceduren for et aktiveret kulfilter er som vist nedenfor:


1. Før du installerer eller fjerner kulfiltrene, skal du afbryde strømmen til apparatet.
2. Tryk på filterknappen og tag fedtfilteret ud.
3. Drej kulfilteret på begge sider af motoren mod uret. Udskift kulfiltrene med nye.
4. Sæt fedtfilteret i igen.
5. Sæt stikket i stikkontakten.



BEMÆRK:

- Kontroller at filteret er sat godt på plads. Ellers kan det løsnes forårsage skader.
- Hvis du monterer et aktivt kulfilter, vil sugekraften blive reduceret.

UDSKIFTNING AF PÆRE

<p>Vigtigt:</p> 	<ul style="list-style-type: none">✧ Pæren skal skiftes af priducenten, en servicetekniker eller en tilsvarende kvalificeret person.✧ Sluk altid helt for strømmen, før du foretager nogen som helst former for vedligeholdelse af apparatet. Pæren skal være kølet helt af, før du røre den med hænderne.✧ Håndter altid pæren ved at holde om den med en klud eller med handsker, så dine hænder ikke kommer i direkte kontakt med pæren, hvilket kan reducere dens holdbarhed.
---	--

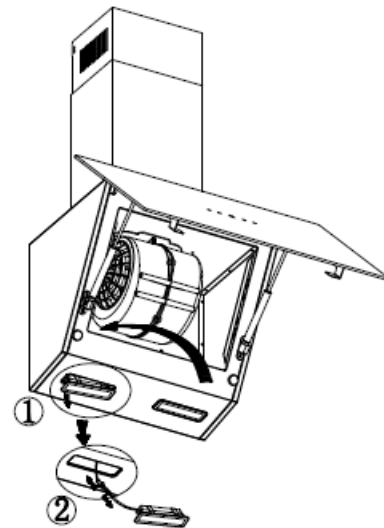
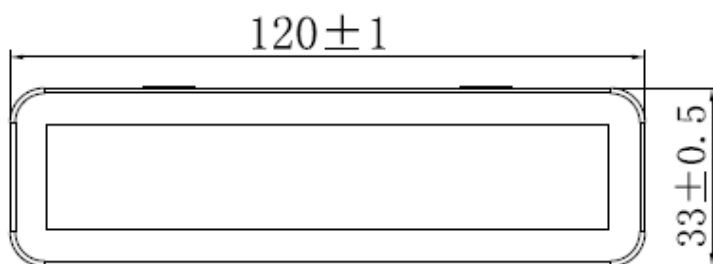
Bemærk:

- Før du skifter pæren, skal du sørge for, at apparatet er slukket og afbrudt.
- Beskyt mod fare, når du skifter pæren, ved fx at bruge handsker.



Skiftning af pæren:

- Fjern det brugte fedtfilter.
 - Brug et værktøj eller en hånd til at trykke på fjedersplinten på begge sider af LED-lys på indersiden, indtil lyset presses ud. Træk derefter let lystilslutningsledningen ud, og afmonter terminalen på lystilslutningsledningen.
 - Anvend den omvendte procedure for, at sætte pæren i igen. Anvend den omvendte procedure for at geninstallere lyset.
- ILCOS D-koden til denne pære er: DSS-1.5/30-S-120/33

- LED-moduler–Firkantet lampe
- Maks. watt: 2×1.5 W
- Spændingsområde: DC 12V
- Mål:



MILJØBESKYTTELSE:

 <p>Billede 2</p> 	<p>Dette produkt er mærket med symbolet for affaldssortering for elektronisk udstyr. Dette betyder, at dette produkt ikke må bortskaffes sammen med husholdningsaffald, men skal afleveres til genbrug i overensstemmelse med direktiv 2012/19/EU. Det vil så blive genbrudt eller demonteret for at minimere miljøpåvirkninger. Elektriske og elektroniske produkter er potentielt farligt og kan være skadeligt for menneskers sundhed på grund af tilstedeværelsen af farlige stoffer. Kontakt din lokale eller regionale myndighed for yderligere information.</p>
--	--

BEMÆRK:

Nedenstående viser, hvordan man reducerer den samlede miljøpåvirkning (fx energiforbrug) i tilberedningsprocessen).

- (1) Monter emhætten et passende sted med effektiv udluftning.
- (2) Rengør emhætten jævnligt, så luftvejene ikke blokeres.
- (3) Husk at slukke for emhættens lys efter madlavning.
- (4) Husk at slukke for emhætten efter madlavning.

OPLYSNINGER OM ADSKILLELSE

Adskil ikke apparatet er på måder, der ikke er beskrevet i denne brugervejledning. Apparatet kan ikke adskilles af brugeren. Når apparatet er udtjent, må det ikke bortskaffes med almindeligt husholdningsaffald. Du kan få flere oplysninger om genbrug hos din lokale kommune.

INNHold

INNHold.....	68
SIKKERHETSANVISNINGER	69
INSTALLASJON (VENT UTENFOR)	49
FEILSØKING	53
VEDLIKEHOLD OG RENGJØRING	53
MILJØVERN:.....	56

SIKKERHETSANVISNINGER

Denne bruksanvisningen beskriver riktig installasjon og bruk av avtrekkshetten. Les den nøye før du bruker den, selv om du er kjent med produktet. Håndboken skal holdes på et trygt sted for senere oppslag.

Ting du aldri skal gjøre:

- Ikke prøv å bruke avtrekkshetten uten fettfiltrene eller hvis filtrene er for fettete!
- Ikke monter over en komfyr med en grill på høyt nivå.
- Ikke la stekepanner stå uten tilsyn under bruk, da overopphetet fett eller olje kan ta fyr.
- Aldri la det komme nakne flammer under avtrekkshetten.



- Hvis avtrekkshetten er skadet, skal den ikke brukes.
- Ikke flamber under avtrekkshetten.
- **FORSIKTIG:** Tilgjengelige deler kan bli varme når de brukes sammen med kjøkkenutstyr.
- Avstanden mellom støtteflaten til kokekarene på kokeplaten og den laveste delen på avtrekkshetten (når avtrekkshetten er plassert over et gassapparat, må det være minst 65 cm)
- Luften må ikke slippes ut i en røykkanal som brukes til utslipp av avgasser fra apparater som brenner gass eller annet drivstoff.



Ting du alltid må gjøre:

- **Viktig!** Slå alltid av strømforsyningen under montering og vedlikehold som for eksempel utskifting av lyspære.
- Avtrekkshetten skal monteres i henhold til monteringsanvisningene, og alle målene må følges.
- Alt monteringsarbeid må utføres av en kompetent person eller kvalifisert elektriker.
- Kast emballasjen forsiktig. Den kan være farlig for barn.
- Vær oppmerksom på skarpe kanter inne i avtrekkshetten, spesielt under montering og rengjøring.
- Ledningsrøret skal ikke ha noen bend over 90 grader, da dette vil redusere effektiviteten til avtrekkshetten.
- **Advarsel:** Hvis du ikke monterer skruene eller festeenhet i henhold til disse instruksjonene, kan det føre til elektriske farer.
- **Advarsel:** Før du får tilgang til tilkoblingspunktene, må alle forsyningskretsene kobles ut.

Ting du alltid må gjøre:

- Bruk alltid lokk på gryter og panner når du lager mat på en gasskomfyr.
- I uttrekksmodus tas luft i rommet ut av avtrekkshetten. Sørg for at det riktige ventilasjonstiltak følges. Avtrekkshetten fjerner lukt fra rommet, men ikke damp.
- Avtrekkshetten er kun til husholdningsbruk.



- Hvis strømkabelen er skadet, må den skiftes av produsenten, av produsentens servicerepresentant eller av en tilsvarende kvalifisert person for å unngå fare.
- Dette apparatet kan brukes av barn over 8 år og personer med reduserte fysiske-, sensoriske- eller mentale evner eller mangel på erfaring og kunnskap hvis de er under tilsyn eller har mottatt anvisning om bruk av apparatet på en sikker måte og forstår farene dette innebærer. Barn må ikke leke med apparatet. Rengjøring og brukervedlikehold må ikke utføres av barn uten tilsyn.



Ting du alltid må gjøre:

- Forsiktig: Apparatet og utsatte deler blir varme under bruk. Vær forsiktig slik at du ikke tar på varmeelementene. Barn under 8 år bør holde seg borte med mindre de er under permanent tilsyn.
- Det må være tilstrekkelig ventilasjon i rommet når avtrekkshetten brukes samtidig som apparater som brenner gass eller andre drivstoff.
- Det foreligger en brannrisiko hvis rengjøring ikke utføres i samsvar med instruksjonene.
- Regler om utslipp av luft må overholdes.
- Rengjør apparatet jevnlig ved å følge metoden oppgitt i kapitlet VEDLIKEHOLD.
- Av sikkerhetsmessige årsaker må du kun bruke samme størrelse på festeskruer eller monteringskruer som anbefalt i denne bruksanvisningen.
- Detaljer om metode og hyppighet for rengjøring finner du i elen om vedlikehold og rengjøring i bruksanvisningen.
- Rengjøring og brukervedlikehold må ikke utføres av barn uten tilsyn
- Når avtrekkshetten og apparater som drives med annen energi enn elektrisitet er i drift samtidig, må det negative trykket i rommet ikke overstige 4 Pa (4 x 10⁻⁵ bar).
- **ADVARSEL:** Fare for brann: Ikke legg ting på kokeflatene.
- Damprenser skal ikke brukes.
- **ALDRI** prøv å slukke en brann med vann. Slå av apparatet og dekk til flammen, f.eks. med et lokk eller et brannteppe.

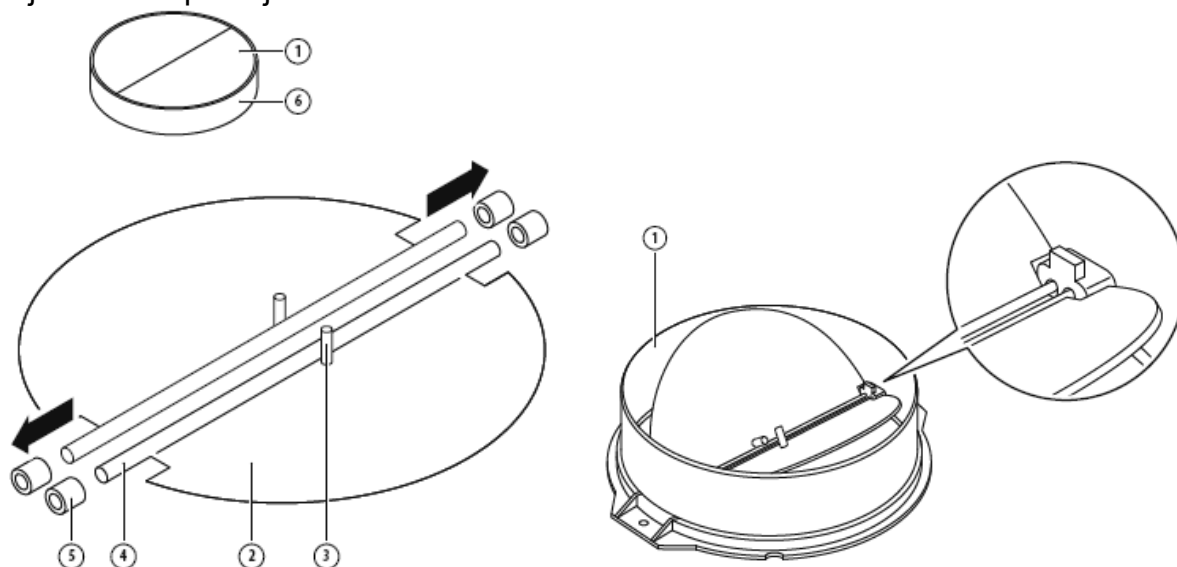
MONTERING (UTVENDIG VENTIL)

MONTERING AV V-KLAFF

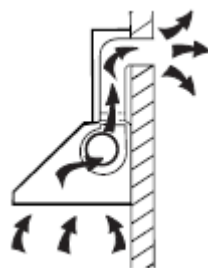
Hvis avtrekkshetten ikke har påmontert V-klaff 1, bør du montere halvdelene på enheten. Bildene viser bare ett eksempel på hvordan V-klaffen monteres, fordi uttaket kan avvike mellom ulike modeller og konfigurasjoner.

For å montere V-klaffen 1 skal du gjøre som følger:

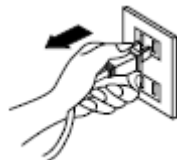
- Monter to halvdeler 2 på enheten 6.
- Pinnen 3 skal være vendt oppover.
- Aksene 4 skal settes inn i hullene 5 på enheten.
- Gjenta alle operasjonene for andre halvdel.



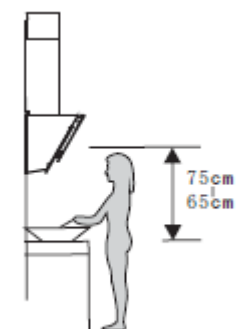
Hvis du har avtrekk rett ut, kan du montere ventilatoren slik ved å følge trinnene under ved hjelp av en avgasskanal (emalje, aluminium, fleksibelt rør eller ikke-brennbart materiale med en indre diameter på 150 mm).



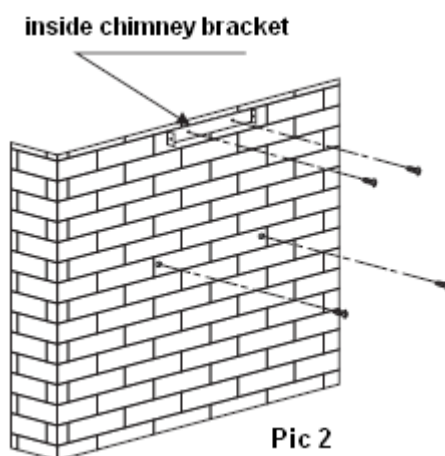
1. Før montering slår du av enheten og kobler den fra stikkontakt.



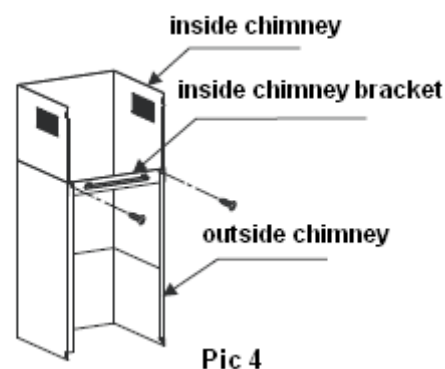
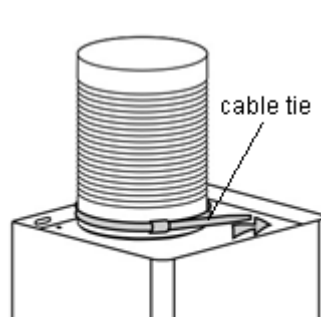
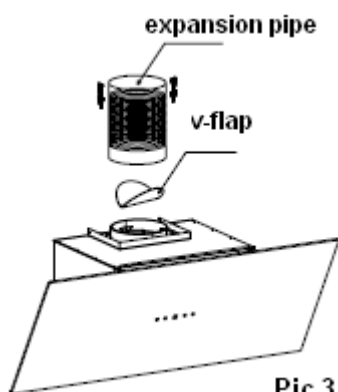
2. Avtrekkshetten skal plasseres i en avstand på 65–75 cm over kokeflaten for best effekt.



3. Etter at du har bestemt høyden på ventilatoren, må du måle posisjonen til hullene for hengende ventilator og inne i skorsteinsbraketten. Bor 4 $\varnothing 8$ hull, 2 for innsiden skorsteinbraketten og 2 for å henge ventilatoren i vater, og holde den rett. Den faste posisjonen til den innvendige skorsteinsbraketten er det høyeste stedet på innsiden av skorsteinen. Se bilde 2.
4. Skru 2stk ST4 x 30mm skruer på veggen med veggplugger for å feste ventilatoren, og bruk deretter 2stk ST4 x 40mm skruer for å feste innsiden av skorsteinsbraketten. Se bilde 2

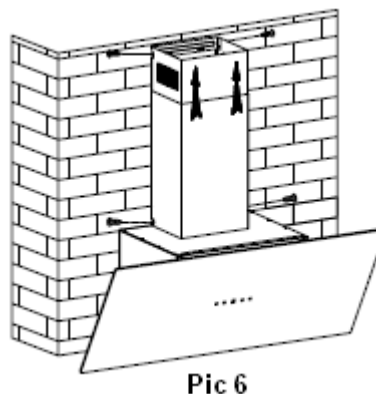
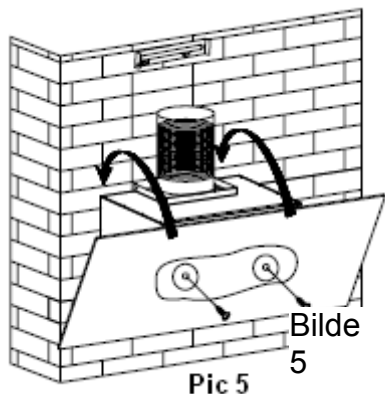


5. Installer V-klaffen med ekspansjonsrør på ventilatoren. Fest ekspansjonsrøret på uttaket med kabelbånd. Se bilde 3



6. Monter den utvendige skorsteinsbraketten på utsiden av skorstein med 2stk ST4 * 8mm skruer, gjør at innsiden på skorsteinen kan bøyes fritt. Se bilde 4.

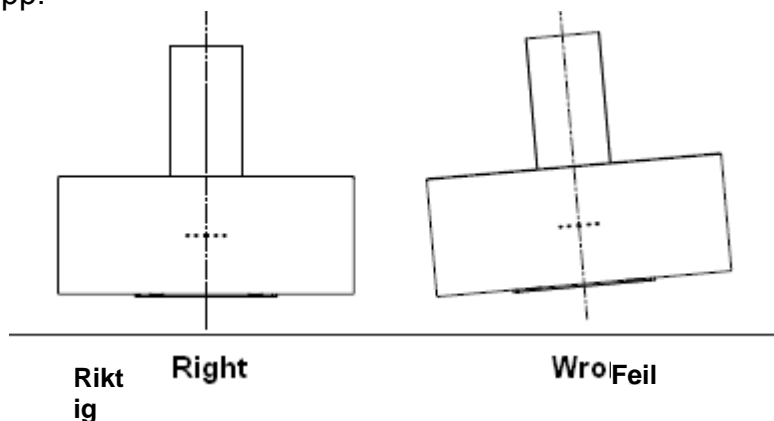
7. Få hetten til å henge på de vegg monterte skruene i fast stilling, juster posisjonen til ventilatoren, fest ventilatoren med 2 stk ST4*30mm sikkerhetsskruer. Merk: De to sikkerhetsventilene er plassert på baksiden, med en diameter på 6 mm. Se bilde 5.
8. Juster høyden på innsiden av skorsteinen til posisjonen til innsiden skorsteinbrakett og fest innsiden av skorstein og utvendig skorstein med 4stk ST4 * 8mm skruer. Se bilde 6.




HINT FOR MONTERING AV AVTREKSKANAL

Følgende regler må følges nøye for å få optimalt luftuttrekk:

- Hold ekspansjonsrøret kort og rett
- Ikke reduser størrelsen eller begrense ekspansjonsrøret
- Hvis du bruker det fleksible røret, må du alltid montere røret tett for å minimere trykkfall
- Hvis disse grunnleggende instruksjonene ikke overholdes, vil det redusere ytelsen og øke støynivået til avtrekkshetten.
- Alt monteringsarbeid må utføres av en kvalifisert elektriker eller kompetent person.
- Ikke koble luftsystemet på avtrekkshetten til et eksisterende ventilasjonssystem som brukes til andre apparater.
- Vinkelen på bendet til ventilasjonsrøret skal ikke være mindre enn 120°; du må rette røret horisontalt eller eventuelt la røret gå opp fra det startpunktet og ledes til en yttervegg.
- Etter montering må du sørge for at avtrekkshetten er i vater for å unngå at fett hopper seg opp.

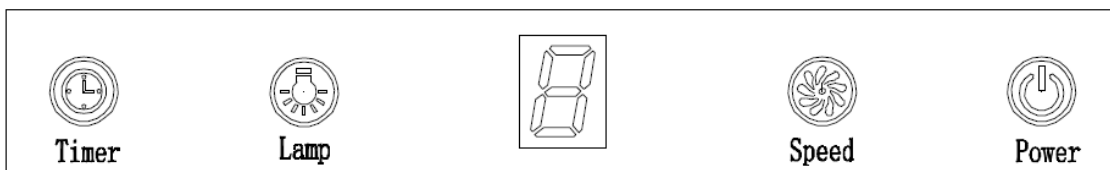


Sørg for at ekspansjonsrøret som er valgt for montering er i samsvar med relevante standarder og er brannhemmende.

<p>ADVARSEL:</p> 	<ul style="list-style-type: none">➤ Av sikkerhetsmessige årsaker må du kun bruke samme størrelse på festeskruer eller monteringskruer som anbefalt i denne bruksanvisningen.➤ Hvis du ikke monterer skruene eller festeenhet i henhold til disse instruksjonene, kan det føre til elektriske farer.
--	--

Begynne å bruke avtrekkshetten

Berøringskontroll med LED-skjerm



- 1) Trykk på "Power"-knappen, knappen styrer "på" og "av" på hetten.
- 2) Trykk på knappen "Speed" gang etter gang, motoren går så lav / mid / høy / lav / middels ..., hastigheten går sirkulært; og LED-skjermen vil indikere som 1-2-3-1-2... Sirkulært.
- 3) Trykk på "Lampe"-knappen, lyset er på, trykk på denne knappen igjen, lyset er av. Vær oppmerksom på at lampen ikke er under kontroll av av/på-knappen.
- 4) Når hetten fungerer, hvis du trykker på "Timer" -knappen, vil hetten gå inn i statusen for å skaffe arbeid (oppskaffende tid er 9mins), og deretter vil LED-skjermen bli vist 9.8.7.6 ... reduseres med 1,når tiden er over, vil hetten være av automatisk og lampen vil slukke. Hvis du trykker på "Timer"-knappen, vil hetten gå inn eller gå ut "Timer"-funksjonen.

FEILSØKING

Feil	Mulig årsak	Løsning
Lampen på, men motoren virker ikke	Viftebryteren er slått av	Velg en viftebryterposisjon.
	Viftebryteren har sviktet	Kontakt servicesenter.
	Motoren har sviktet	Kontakt servicesenter.
Lampen virker ikke, og motoren virker ikke	Sikringen er gått	Tilbakestill/bytt sikringen.
	Strømkabelen løs eller frakoblet	Sett strømkabelen i stikkkontakten på nytt. Slå på stikkkontakten.
Oljelekkasje	Enveisventilen og uttaket er ikke tett forseglet	Ta av enveisventilen, og tett igjen med tetningsmasse.
	Lekkasje fra tilkoblingen av skorstein og deksel	Ta skorsteinen ned og tett igjen.
Lampene virker ikke	Pærer har gått eller sviktet	Bytt pærer etter instruksjonsboken.
Utilstrekkelig sugekraft	Avstanden mellom avtrekkshetten og komfyren er for lang	Monter avtrekksviften på riktig avstand.
Avtrekkshetten er skeiv	Festeskruen er ikke tett nok	Stram hengeskruen og gjør den vannrett.

MERK:

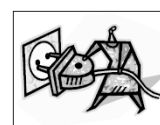


Eventuell elektrisk reparasjon av apparatet må gjøres i henhold til gjeldende lovverk. Hvis du har tvil, kontakter du servicesenteret før du gjør noe av det ovenstående. Koble alltid enheten fra strømkilden når du åpner enheten.

VEDLIKEHOLD OG RENGJØRING

Forsiktig:

- Før vedlikehold eller rengjøring må avtrekkshetten kobles fra strømforsyningen. Kontroller at avtrekkshetten er slått av ved stikkkontakten og at støpselet er tatt ut.
- Eksterne overflater er utsatt for riper og slitasje. Følg derfor rengjøringsinstruksjonene for å sikre best mulig resultat uten skade.



GENERELT

Rengjøring og vedlikehold bør utføres når apparatet er kaldt, spesielt rengjøring. Unngå å la det være alkaliske eller sure stoffer (sitronsaft, eddik osv.) igjen på overflatene.

RUSTFRITT STÅL

Rustfritt stål må rengjøres regelmessig (f.eks. hver uke) for å sikre lang levetid. Tørk

av med en ren, myk klut. Spesialisert renevæske for rustfritt stål kan brukes.

MERK:

Sørg for at du tørker av i retningen til kornet til det rustfrie stålet for å hindre at du skraper opp og lager kryssmønstre.

KONTROLLPANELETS OVERFLATE

Det innlagte kontrollpanelet kan rengjøres med varmt såpevann. Kontroller at kluten er ren og godt vridd før rengjøring. Bruk en tørr, myk klut for å fjerne overflødig fuktighet igjen etter rengjøring.

Viktig

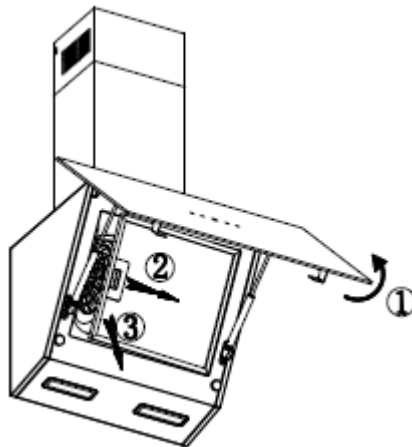
Bruk nøytrale rengjøringsmidler og unngå å bruke harde rengjøringsmidler, sterke husholdningsvaskemidler eller produkter med slipemidler, da dette vil påvirke utseendet på apparatet og muligens fjerne eventuell grafikk på kontrollpanelet og ugyldiggjøre produsentens garanti.

MASKE-FETTFILTER

Maskefiltrene kan rengjøres for hånd. Bløt dem opp i ca. 3 minutter i vann lett rengjøringsmiddel, og puss forsiktig med en myk børste. Ikke bruk for mye trykk for å unngå skade. (La det tørke naturlig og ikke i direkte sollys)

Filtre bør vaskes separat fra servise og kjøkkenutstyr. Det anbefales ikke å bruke skyllemiddel.

Følg bildet nedenfor for å demontere fettfilteret.



MONTERING AV MASKE-FETTFILTER

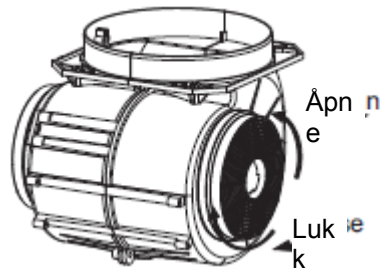
- Installere filtre ved å følge de følgende fire trinnene.
- Vinkle filteret inn i sporene på baksiden av avtrekkshetten.
- Trykk knappen på håndtaket til filteret.
- Løsne håndtaket når filteret er på plass.
- Gjenta for montering av alle filtre.

KULLFILTER (Leveres separat)

Aktivert kullfilter kan brukes til å fange lukt. Det aktiverte kullfilteret bør normalt skiftes hver 3. til 6. måned alt etter hvordan og hvor ofte du lager mat. Monteringsprosedyren

for det aktiverte kullfilteret er som følger.


1. Før du monterer eller bytter kullfiltre, må du kutte strømmen til enheten.
2. Trykk filterlåsen og fjern maskefilteret.
3. Drei kullfilteret på begge sider av motoren mot klokken. Bytt kullfiltrene ut med de nye kullfiltrene.
4. Plasser maskefilteret.
5. Koble strømforsyningen til en stikkontakt.



MERK:

- Sørg for at filteret er satt godt på. Ellers kan det løsne og føre til fare.
- Når det aktiverte kullfilteret er festet, reduseres sugsevnen.

BYTTE PÆRE

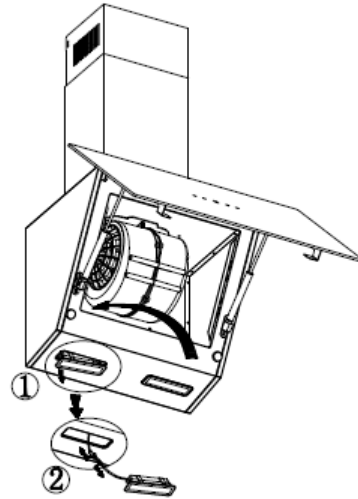
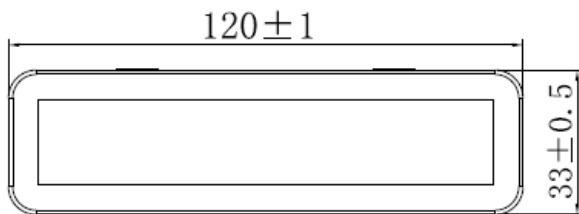
<p>Viktig:</p> 	<ul style="list-style-type: none">✧ Pæren må byttes ut av produsenten, serviceagenten eller tilsvarende kvalifiserte person.✧ Slå alltid av strømforsyningen før du gjør noe med apparatet. Når du skal håndtere pæren, må du sørge for at den er helt avkjølt før du tar på det med hendene.✧ Ved håndtering av pærer må du holde dem med en klut eller hansker for å sikre at svette ikke kommer i kontakt med pæren, da dette kan redusere levetiden til pæren.
--	--

Merk:

- Før du skifter lampe, må du sørge for at apparatet er slått av og frakoblet.
- Beskytt deg mot fare når du skifter lys, for eksempel ved å bruke hansker.

Skifte lampene:

- Fjern fettfilteret.
- Bruk et verktøy eller hånden til å trykke fjærsplinten på begge sider av LED-lyset til innsiden, til lyset trykkes ut. Trekk deretter lett ut lysledningen, og demonter terminalen på lystilkoblingsledningen.
- Gjør dette i omvendt rekkefølge for å installere lampen på nytt.
- ILCOS D-koden for denne lampen er: DSS-1.5/30-S-120/33
 - LED-moduler – rektangulær lampe
 - Maksimal effekt: 2×1.5 W
 - Spenningsområde: DC12 V
 - Mål:



MILJØVERN:



Dette produktet er merket med symbolet for kildesortering av kassert elektronisk utstyr. Dette betyr at produktet ikke skal kastes sammen med husholdningsavfall men må kasseres i henhold til et system for kildesortering i samsvar med direktiv 2012/19/EU. Det vil da bli resirkulert eller demontert for å minimere påvirkningen på miljøet. Elektriske og elektroniske produkter er potensielt farlige for miljøet og menneskers helse da de inneholder farlige stoffer. Du kan få mer informasjon ved å kontakte din lokale eller regionale myndighet.

MERK:

Følgende viser hvordan man kan redusere total miljøpåvirkning (dvs. energibruk) under matlaging

- (1) Monter avtrekkshetten på et hensiktsmessig sted med effektiv ventilasjon.
- (2) Rengjør avtrekkshetten regelmessig for ikke å blokkere luftveien.
- (3) Husk å slå av lampen på avtrekkshetten etter matlaging.
- (4) Husk å slå av avtrekkshetten etter matlaging.

INFORMASJON OM DEMONTERING

Ikke demonter apparatet på en måte som ikke er vist i bruksanvisningen. Apparatet skal ikke demonteres av brukeren. Ved slutten av livet skal apparatet ikke kastes sammen med husholdningsavfall. Forhør deg med lokal myndighet eller forhandleren for råd om resirkulering.

THERMEX SCANDINAVIA A/S SERVICEAFD.:

Farøvej 30 • 9800 Hjørring • Danmark

Tlf.: 98 92 62 33

E-mail: service@thermex.dk

THERMEX SCANDINAVIA AS

Tel.: 22 21 90 20 • Fax: 22 21 90 21

E-mail: service@thermex.no • www.thermex.no

THERMEX SCANDINAVIA AB

Importgatan 12 A • S-422 46 Hisings Backa

Tel: 031 340 82 00

E-mail: info@thermex.se • www.thermex.se

THERMEX SCANDINAVIA S.L.U.

C/Noi del Sucre, 42 • 08840 Viladecans

Tel.: 93 637 30 03

E-mail: info@thermex.es • www.thermex.es

THERMEX SCANDINAVIA AS

+358 942454000

E-mail: info@thermex.fi • www.thermex.fi

